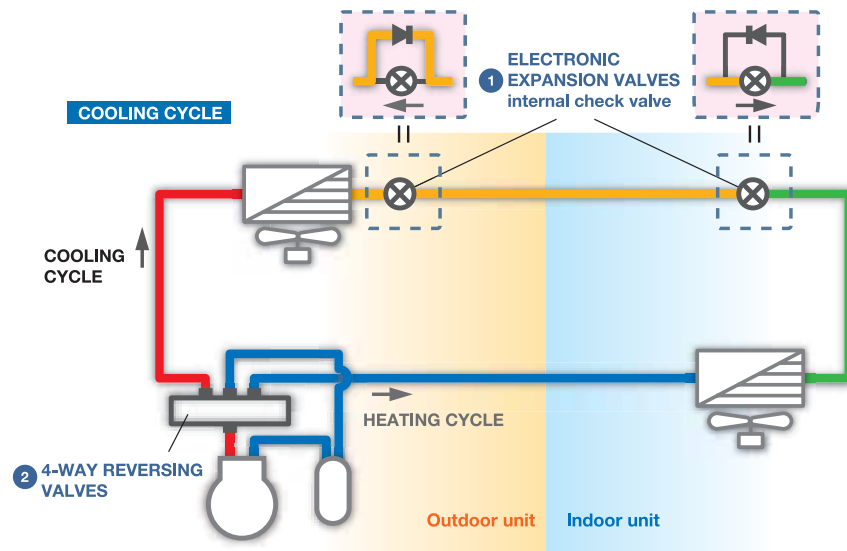
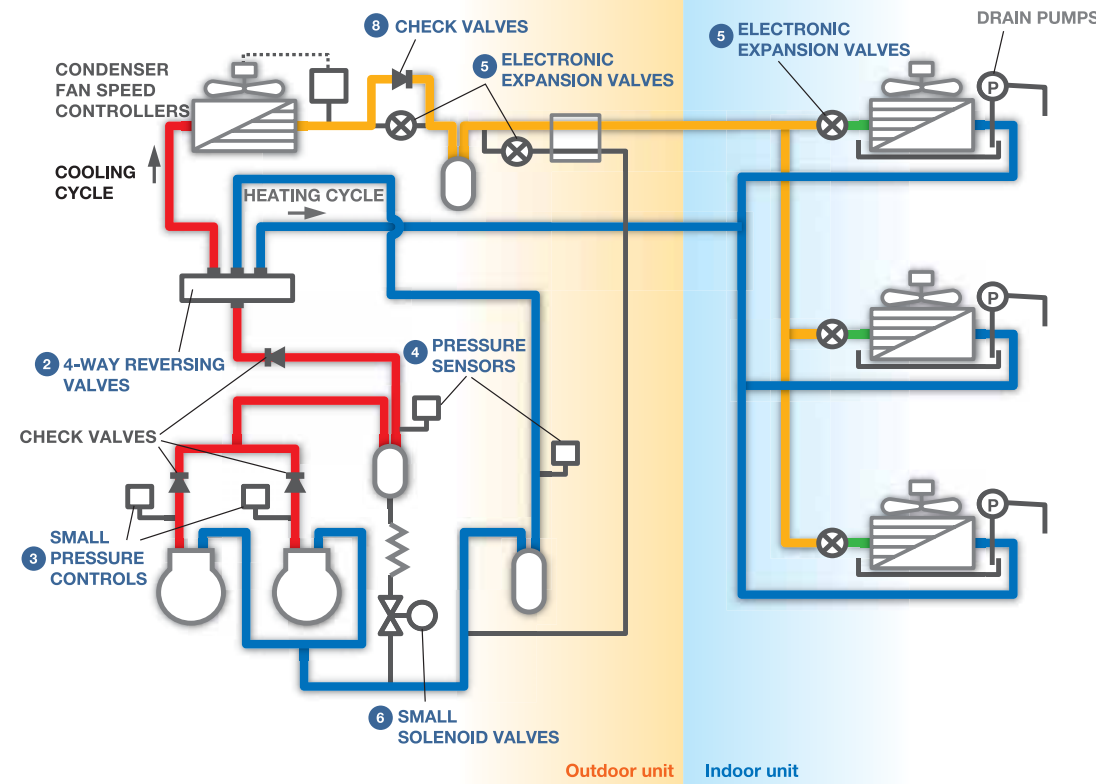


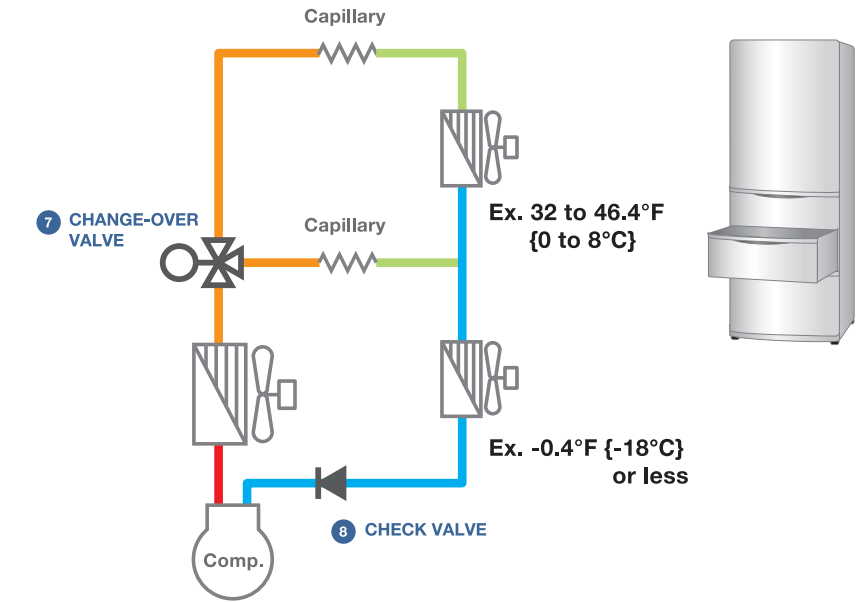
Residential Air Conditioning



Commercial Air Conditioning



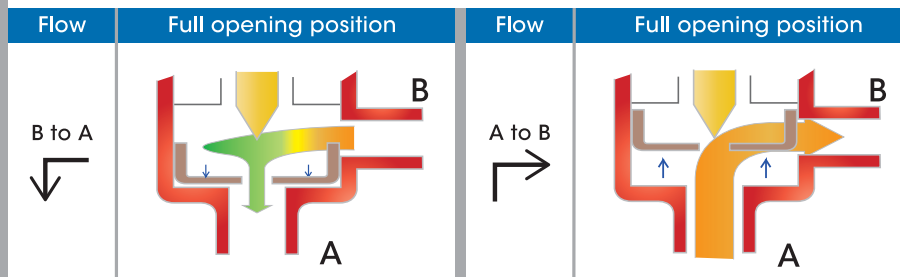
Refrigerator (Two evaporator type refrigerator)



1 | ELECTRONIC EXPANSION VALVES internal check valve

type UKV-F

- [Supply Voltage] 12V.DC
- [Max. Working Press.] 609psi {4.2MPa}
- [Capacity] 3.4 to 5.5U.S.R.T. {12.1 to 19.4kW}(R410A)
- [Fluid Temp.] -22 to 158°F {-30 to 70°C}
- [Actuator] Stepper motor



- | SUPERHEAT CONTROLLER

type XNE

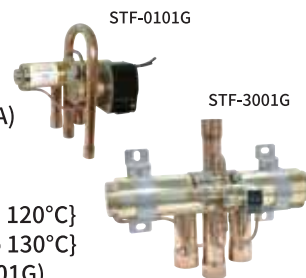
- [Supply Voltage] 24V.AC / 24V.DC
- [Temp. Range] -22 to 86°F {-30 to 30°C}
- [Ambient Temp.] 32 to 122°F {0 to 50°C}
- [Power Consumption] 15VA or less
- [Control Method] PID Control (pressure-temperature type)



2 | 4-WAY REVERSING VALVES

type STF

- [Capacity] 0.5 to 102.0U.S.R.T. {1.8 to 360kW}(R410A)
- [O.P.D.] 44 to 450 psi {0.3 to 3.1MPa}
- [Fluid Temp.] -4 to 248°F {-20 to 120°C} -4 to 266°F {-20 to 130°C} (STF-2011G to 6001G)



4 | PRESSURE SENSORS

type NSK

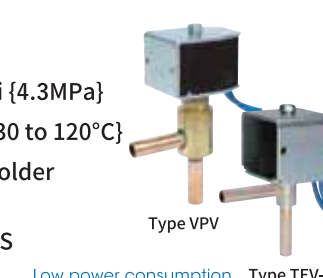
- [Press. Range] 0 to 725psi {0 to 5.0MPa}, etc
- [Output] 0.5 to 4.5V.DC
- [Supply Voltage] 5V.DC
- [Connections] 1/4" Flare, Solder 1/8" NPT



6 | SMALL SOLENOID VALVES

type VPV/TEV-S

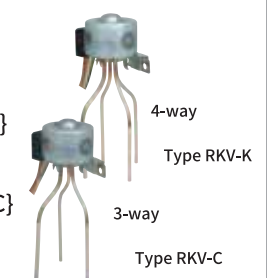
- [Max. Working Press.] 623psi {4.3MPa}
- [Fluid Temp.] -22 to 248°F {-30 to 120°C}
- [Connections] 1/4" to 1/2" Solder
- [Cv Value] 0.04 to 3.0 : VPV 0.037 to 0.1 : TEV-S



7 | CHANGE-OVER VALVES

type RKV

- [Supply Voltage] 12V.DC
- [Max. Working Press.] 435psi {3.0MPa}
- [Port Size] φ1.0
- [Fluid Temp.] -22 to 149°F {-30 to 65°C}
- [Actuator] Stepper motor



3 | SMALL PRESSURE CONTROLS

type ACB/LCB

- [Range] 15 to 653psi {0.1 to 4.5MPa}(setting) ACB : 101 to 653psi LCB : 15 to 101psi
- [Contact Functions] SPST · SPDT
- [Contact Capacity] 250V.AC 1 to 4A
- [Connections] 1/4" Flare, Solder



5 | ELECTRONIC EXPANSION VALVE

type UKV

- [Supply Voltage] 12V.DC
- [Max. Working Press.] 609psi {4.2MPa}
- [Capacity] 0.9 to 13.1U.S.R.T. {3.0 to 46.0kW}(R410A)
- [Fluid Temp.] -22 to 158°F {-30 to 70°C}
- [Actuator] Stepper motor



- | PRESSURE REGULATING VALVES

type DPR

- Discharge Regulation [Max. Working Press.] 420psi {2.9MPa} [Range] 142 to 355psi {0.98 to 2.45MPa}
- Liquid Seal Protection [Max. Working Press.] 609psi {4.2MPa} [Range] 580psi {4.0MPa}



8 | CHECK VALVES

type BCV/FCV

- [Max. Working Press.] BCV 609psi{4.2MPa} FCV 700psi{4.8MPa}
- [Fluid Temp.] BCV -22 to 248°F {-30 to 120°C} FCV -22 to 302°F {-30 to 150°C}
- [Connections] 1/4" to 1" Solder
- [Cv Value] BCV 0.33 to 8, FCV 0.28, 0.66

