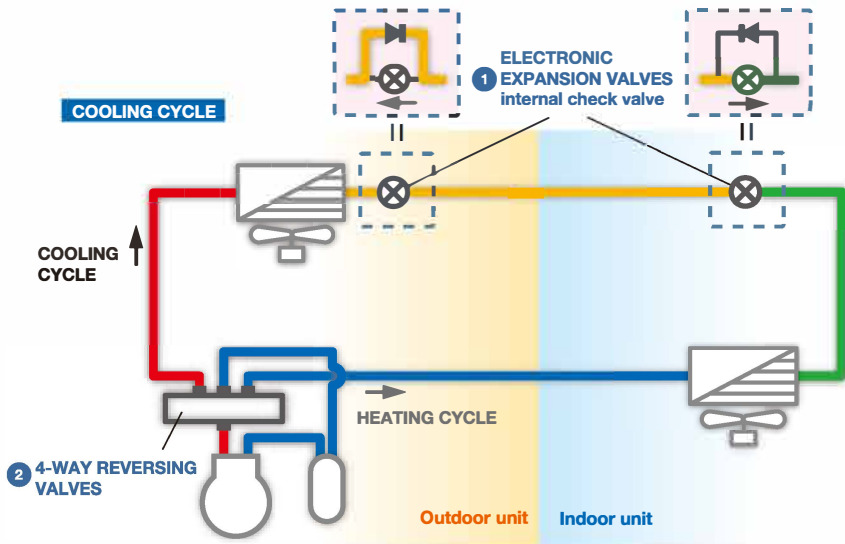
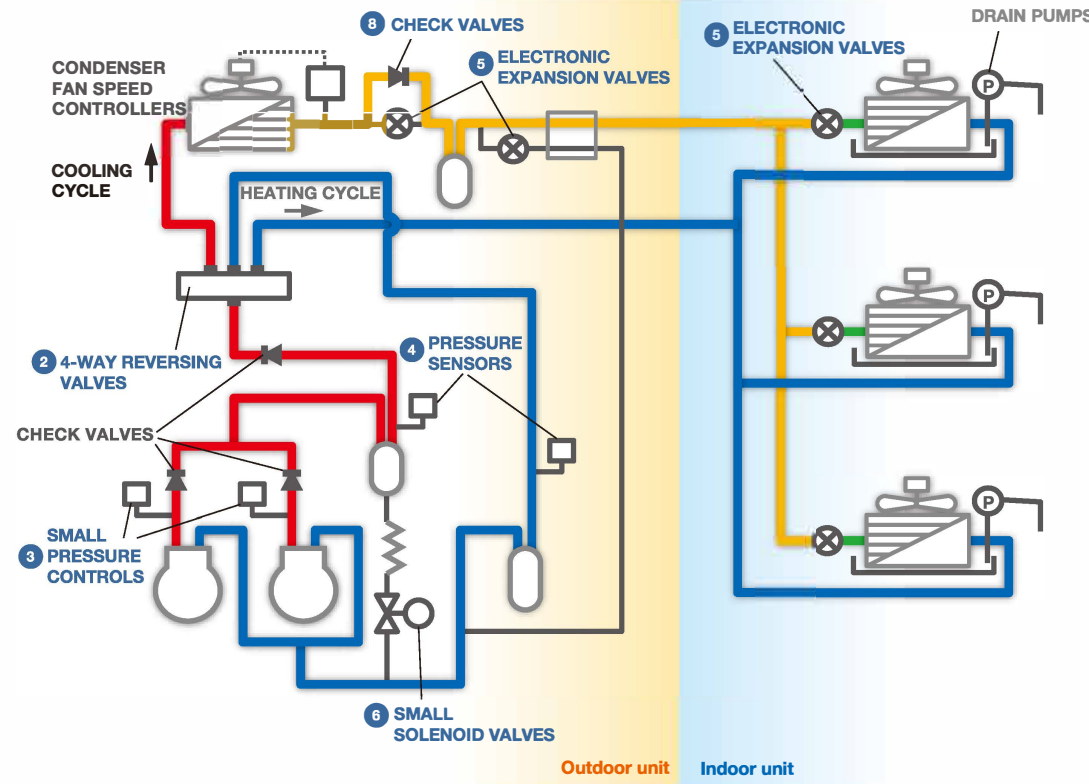


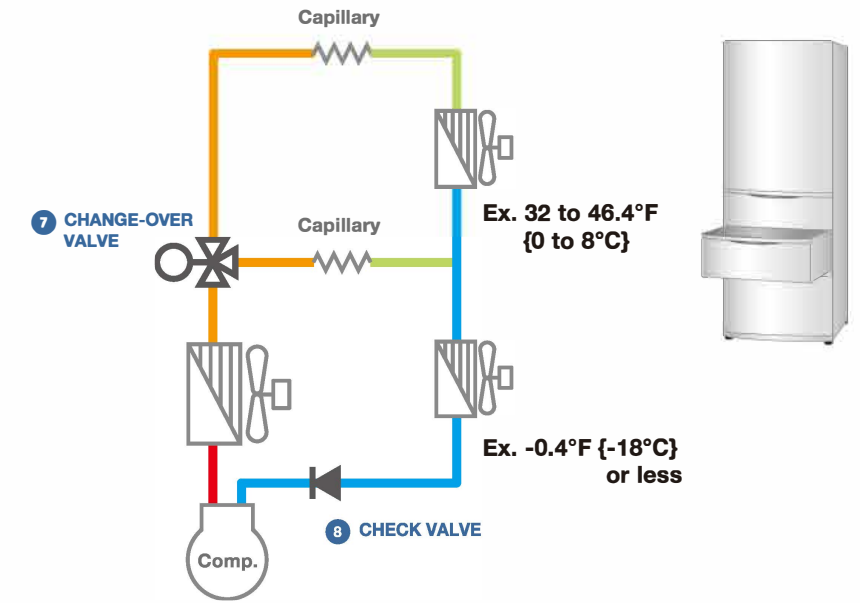
Residential Air Conditioning



Commercial Air Conditioning



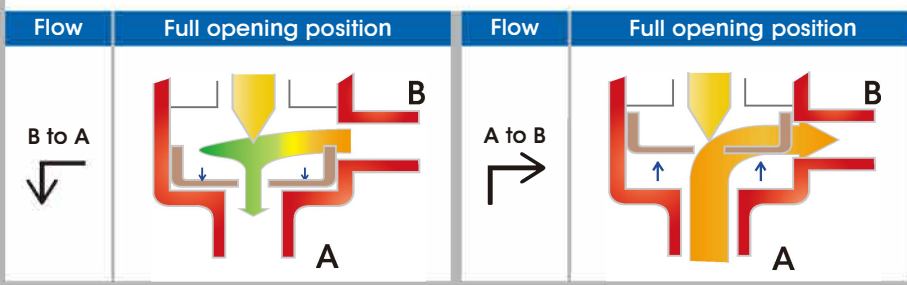
Refrigerator (Two evaporator type refrigerator)



1 | ELECTRONIC EXPANSION VALVES internal check valve

type UKV-F

[Supply Voltage] 12V.DC
 [Max. Working Press.] 609psi {4.2MPa}
 [Capacity] 3.4 to 5.5U.S.R.T. {12.1 to 19.4kW}{R410A}
 [Fluid Temp.] -22 to 158°F {-30 to 70°C}
 [Actuator] Stepper motor



- | SUPERHEAT CONTROLLER

type XNE

[Supply Voltage] 24V.AC / 24V.DC
 [Temp. Range] -22 to 86°F {-30 to 30°C}
 [Ambient Temp.] 32 to 122°F {0 to 50°C}
 [Power Consumption] 15VA or less
 [Control Method] PID Control (pressure-temperature type)

2 | 4-WAY REVERSING VALVES

type STF

[Capacity] 0.5 to 102.0U.S.R.T. {1.8 to 360kW}{R410A}
 [O.P.D.] 44 to 450 psi {0.3 to 3.1MPa}
 [Fluid Temp.] -4 to 248°F {-20 to 120°C} / -4 to 266°F {-20 to 130°C} (STF-2011G to 6001G)

4 | PRESSURE SENSORS

type NSK

[Press. Range] 0 to 725psi {0 to 5.0MPa}, etc
 [Output] 0.5 to 4.5V.DC
 [Supply Voltage] 5V.DC
 [Connections] 1/4" Flare, Solder / 1/8" NPT

6 | SMALL SOLENOID VALVES

type VPV/TEV-S

[Max. Working Press.] 623psi {4.3MPa}
 [Fluid Temp.] -22 to 248°F {-30 to 120°C}
 [Connections] 1/4" to 1/2" Solder
 [Cv Value] 0.04 to 3.0 : VPV / 0.037 to 0.1 : TEV-S

Low power consumption Type TEV-S

7 | CHANGE-OVER VALVES

type RKV

[Supply Voltage] 12V.DC
 [Max. Working Press.] 435psi {3.0MPa}
 [Port Size] φ1.0
 [Fluid Temp.] -22 to 149°F {-30 to 65°C}
 [Actuator] Stepper motor

3 | SMALL PRESSURE CONTROLS

type ACB/LCB

[Range] 15 to 653psi {0.1 to 4.5MPa}(setting)
 ACB : 101 to 653psi
 LCB : 15 to 101psi
 [Contact Functions] SPST · SPDT
 [Contact Capacity] 250V.AC 1 to 4A
 [Connections] 1/4" Flare, Solder

5 | ELECTRONIC EXPANSION VALVE

type UKV

[Supply Voltage] 12V.DC
 [Max. Working Press.] 609psi {4.2MPa}
 [Capacity] 0.9 to 13.1U.S.R.T. {3.0 to 46.0kW}{R410A}
 [Fluid Temp.] -22 to 158°F {-30 to 70°C}
 [Actuator] Stepper motor

- | PRESSURE REGULATING VALVES

type DPR

Discharge Regulation
 [Max. Working Press.] 420psi {2.9MPa}
 [Range] 142 to 355psi {0.98 to 2.45MPa}

Liquid Seal Protection
 [Max. Working Press.] 609psi {4.2MPa}
 [Range] 580psi {4.0MPa}

8 | CHECK VALVES

type BCV/FCV

[Max. Working Press.] BCV 609psi{4.2MPa} / FCV 700psi{4.8MPa}
 [Fluid Temp.] BCV -22 to 248°F {-30 to 120°C} / FCV -22 to 302°F {-30 to 150°C}
 [Connections] 1/4" to 1" Solder
 [Cv Value] BCV 0.33 to 8, FCV 0.28, 0.66