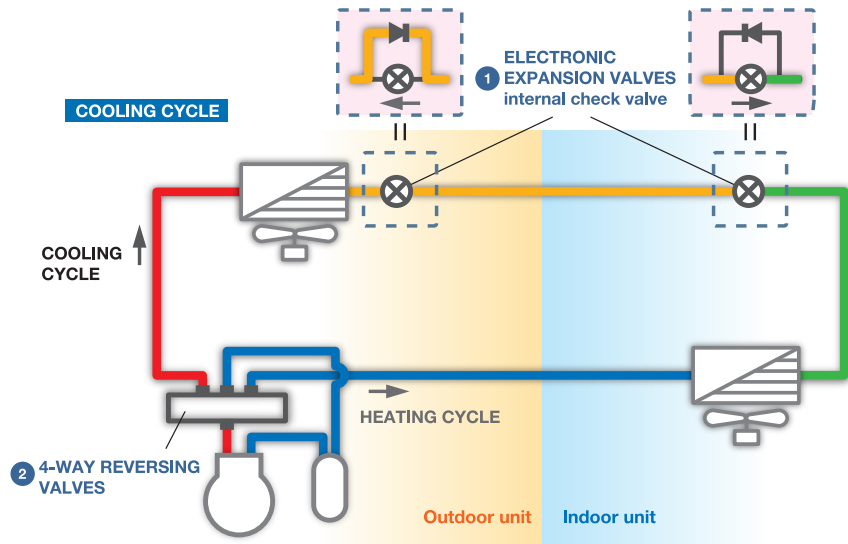
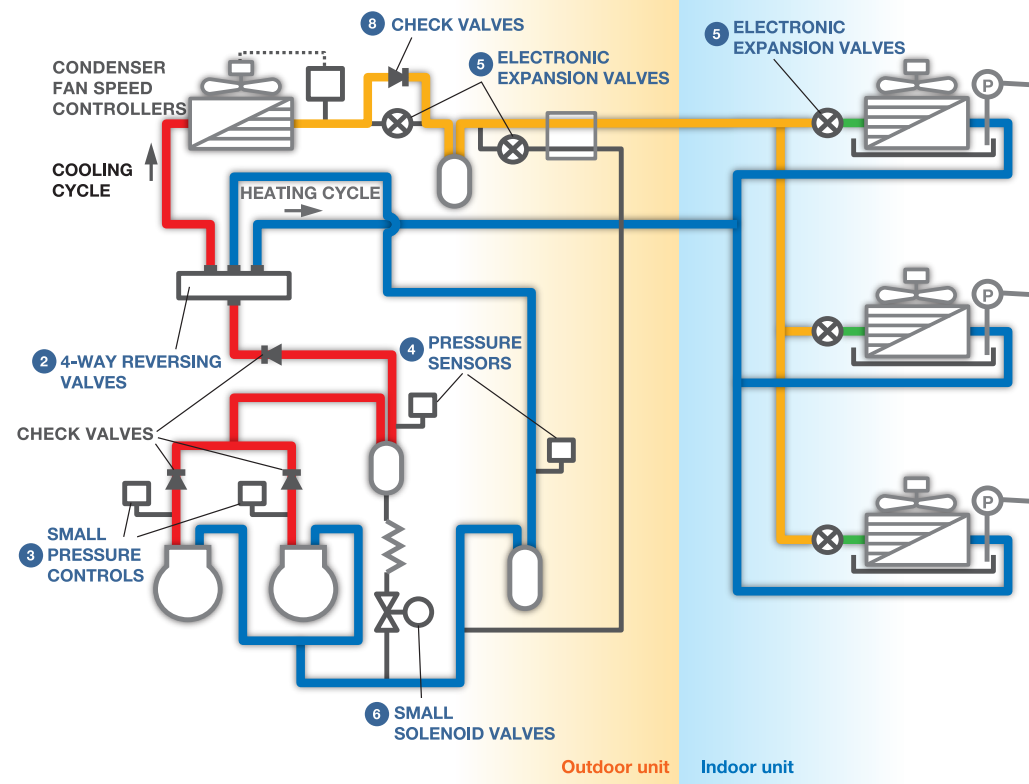


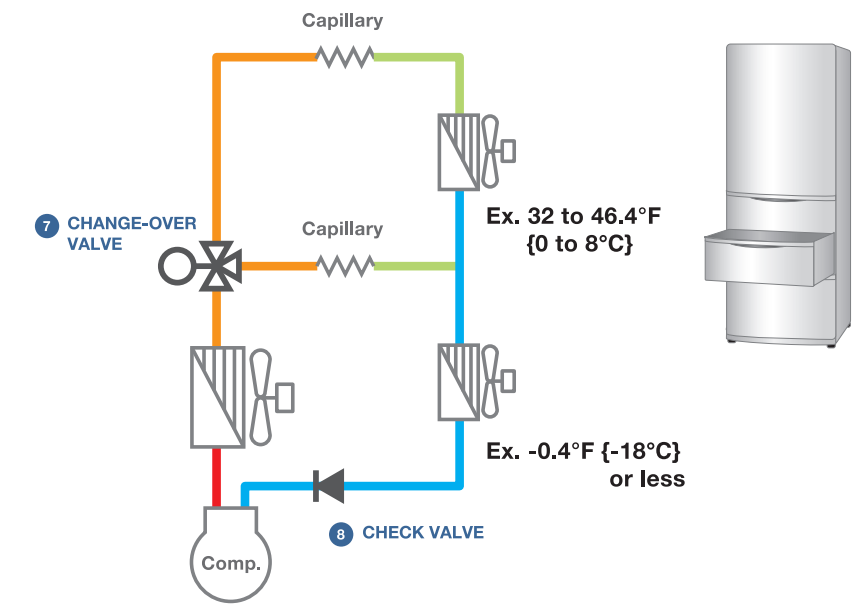
## Residential Air Conditioning



## Commercial Air Conditioning



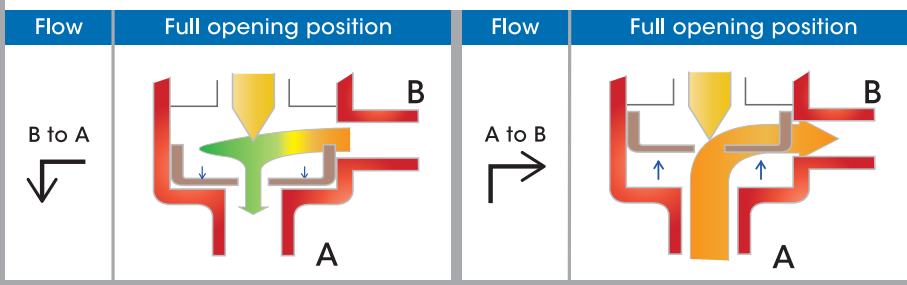
## Refrigerator (Two evaporator type refrigerator)



### 1 | ELECTRONIC EXPANSION VALVES internal check valve

type **UKV-F**

[Supply Voltage] 12V.DC  
 [Max. Working Press.] 609psi {4.2MPa}  
 [Capacity] 3.4 to 7.6U.S.R.T. {12.1 to 26.6kW}(R410A)  
 [Fluid Temp.] -22 to 158°F {-30 to 70°C}  
 [Actuator] Stepper motor



### - | SUPERHEAT CONTROLLER

type **XNE**

[Supply Voltage] 24V.AC / 24V.DC  
 [Temp. Range] -22 to 86°F {-30 to 30°C}  
 [Ambient Temp.] 32 to 122°F {0 to 50°C}  
 [Power Consumption] 15VA or less  
 [Control Method] PID Control (pressure-temperature type)

### 2 | 4-WAY REVERSING VALVES

type **STF**

[Capacity] 0.5 to 102.0U.S.R.T. {1.8 to 360kW}(R410A)  
 [O.P.D.] 44 to 450 psi {0.3 to 3.1MPa}  
 [Fluid Temp.] -4 to 248°F {-20 to 120°C} / -4 to 266°F {-20 to 130°C} (STF-2011G to 6001G)

### 4 | PRESSURE SENSORS

type **NSK**

[Press. Range] 0 to 725psi {0 to 5.0MPa}, etc  
 [Output] 0.5 to 4.5V.DC  
 [Supply Voltage] 5V.DC  
 [Connections] 1/4" Flare, Solder 1/8" NPT

### 6 | SMALL SOLENOID VALVES

type **VPV/TEV-S**

[Max. Working Press.] 623psi {4.3MPa}  
 [Fluid Temp.] -22 to 248°F {-30 to 120°C}  
 [Connections] 1/4" to 1/2" Solder  
 [Cv Value] 0.04 to 3.0 : VPV / 0.037 to 0.1 : TEV-S

Low power consumption Type TEV-S

### 7 | CHANGE-OVER VALVES

type **RKV**

[Supply Voltage] 12V.DC  
 [Max. Working Press.] 435psi {3.0MPa}  
 [Port Size] φ1.0  
 [Fluid Temp.] -22 to 149°F {-30 to 65°C}  
 [Actuator] Stepper motor

### 3 | SMALL PRESSURE CONTROLS

type **ACB/LCB**

[Range] 15 to 653psi {0.1 to 4.5MPa}(setting)  
 ACB : 101 to 653psi  
 LCB : 15 to 101psi  
 [Contact Functions] SPST · SPDT  
 [Contact Capacity] 250V.AC 1 to 4A  
 [Connections] 1/4" Flare, Solder

### 5 | ELECTRONIC EXPANSION VALVE

type **UKV-S/UKV-SH**

[Supply Voltage] 12V.DC  
 [Max. Working Press.] 609psi {4.2MPa}  
 [Capacity] 0.5 to 39.5U.S.R.T. {1.8 to 139.2kW}(R410A)  
 [Fluid Temp.] -22 to 158°F {-30 to 70°C}  
 [Actuator] Stepper motor

### - | PRESSURE REGULATING VALVES

type **DPR**

Discharge Regulation  
 [Max. Working Press.] 420psi {2.9MPa}  
 [Range] 142 to 355psi {0.98 to 2.45MPa}

Liquid Seal Protection  
 [Max. Working Press.] 609psi {4.2MPa}  
 [Range] 580psi {4.0MPa}

### 8 | CHECK VALVES

type **BCV/FCV**

[Max. Working Press.] BCV 609psi {4.2MPa} / FCV 700psi {4.8MPa}  
 [Fluid Temp.] BCV -22 to 248°F {-30 to 120°C} / FCV -22 to 302°F {-30 to 150°C}  
 [Connections] 1/4" to 1" Solder  
 [Cv Value] BCV 0.33 to 8, FCV 0.28, 0.66