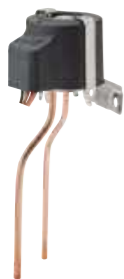
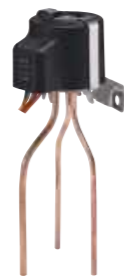


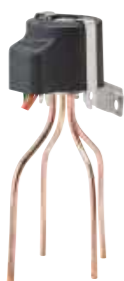
CHANGEOVER VALVES, ELECTRONIC EXPANSION VALVES / Type RKV



Type RKV-H, RKV-B



Type RKV-C



Type RKV-K

High Volume OEM Item

Drawings must be exchanged for purchase. Please contact SAGINOMIYA for more details.

Coil sold separately

FEATURES

- Highly durable (Operating life of 300,000 cycles at full stroke).
- Energy-saving design (No holding power required).
- Capable of regulating multiple flow settings (Open, closed, low-flow).
- Standards : UL, cUL (Please contact us for details.)

APPLICATIONS

- Household refrigerators
- Commercial refrigerators / freezers
- Vending machines, etc.

COMMON SPECIFICATIONS

- Max. working pressure : 3.0 MPa
- Fluid temperature : -30 to 65°C
(It should be 50% or less on energizing ratio)
- Ambient temperature : -30 to 65°C
(It should be 50% or less on energizing ratio)
- Ambient humidity : 95%RH or less
- Excitation method : 1-2 phase, Uni-polar

DESCRIPTION OF CATALOG NO.

RKV - C 08 D □□
I II III IV V

I	Type
II	Function
III	Port size
IV	Connection type
V	Serial number

* Coil is not included with the valve body. Please purchase it separately.

TYPE NUMBER SELECTION

Catalog No.	Function	* 1 Refrigerant	Port size φ (mm)	Connection (Solder) (mm)		M.O.P.D. (MPa)	* 2 Wt. (kg)
				Inlet (A)	Outlet (B, C, D)		
RKV-H06D	Expansion valve	R134a R600a	0.6	φ 2.1 ID	φ 2.2 ID	1.0	0.03
RKV-B10D	2-way changeover valve		1.0			1.8	
RKV-C08D	3-way changeover valve		0.8		2.8	φ 1.9 ID	
RKV-C10D			1.0				1.8
RKV-C08DWL	3-way changeover valve with expansion function		0.8		1.0	0.04	
RKV-K10D	4-way changeover valve	1.0		φ 2.2 ID	1.8		

* 1 For other refrigerants, please contact us.

* 2 Valve only. (without coil)

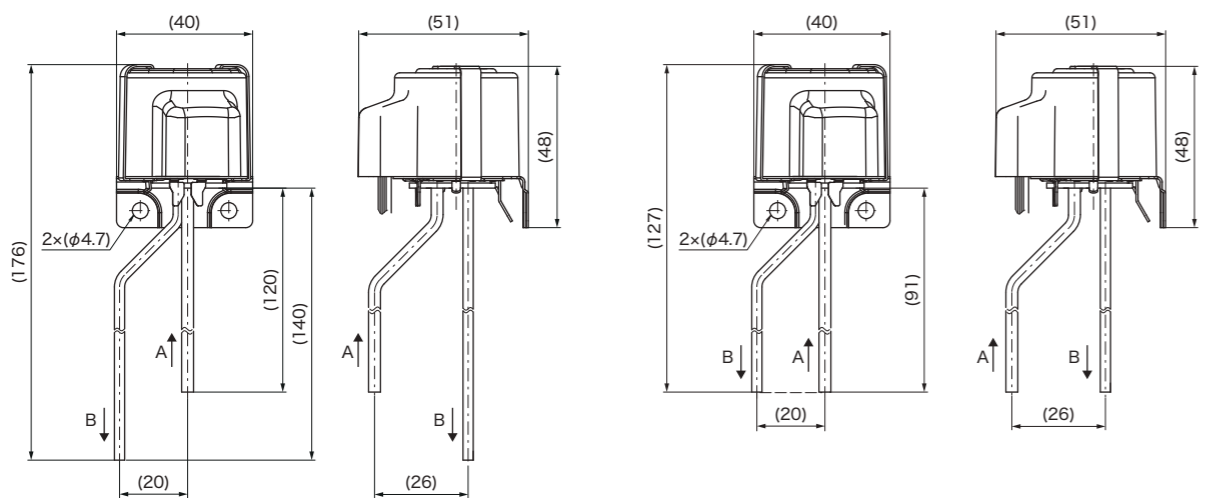
COIL SPECIFICATIONS

Catalog No. (Coil)	Rated voltage	Current	* 1 Insulation class	Enclosure	* 2 Wt. (kg)
RKV- R□□□	12V.DC ± 10%	0.26A / Phase (20°C)	Class E molded	IP66	0.1

* 1 Compliant with IEC60085, 60335-2-40.

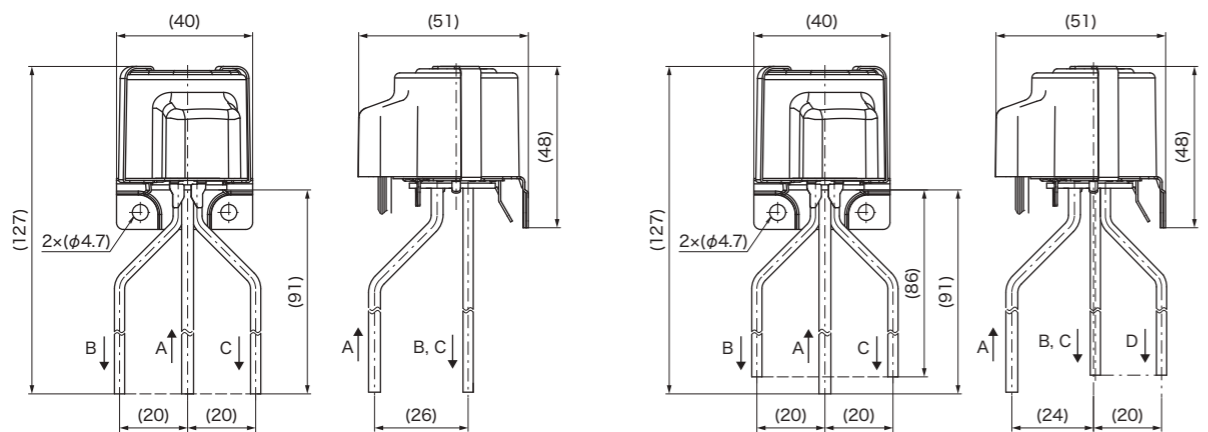
* 2 For lead wire length of 300mm.

DIMENSIONS



Type RKV-H06D

Type RKV-B10D



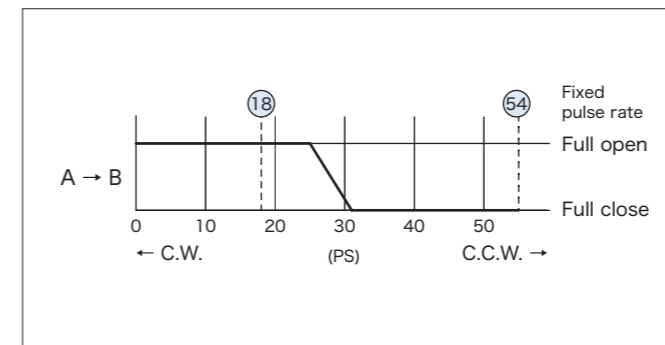
Type RKV-C

Type RKV-K10D

Unit : mm

VALVE OPERATION CHARACTERISTICS

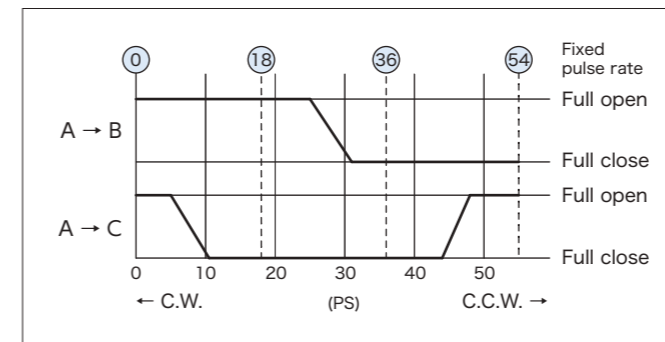
Type RKV-B10D *



Flow direction (Fixed pulse rate)

Mode	Pulse	Flow direction
		A → B
1	18	Full open
2	54	Full close

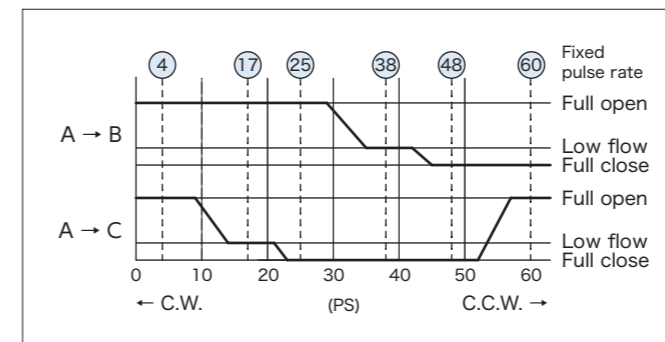
Type RKV-C08D, C10D *



Flow direction (Fixed pulse rate)

Mode	Pulse	Flow direction	
		A → B	A → C
1	0	Full open	Full open
2	18	Full open	Full close
3	36	Full close	Full close
4	54	Full close	Full open

Type RKV-C08DWL *

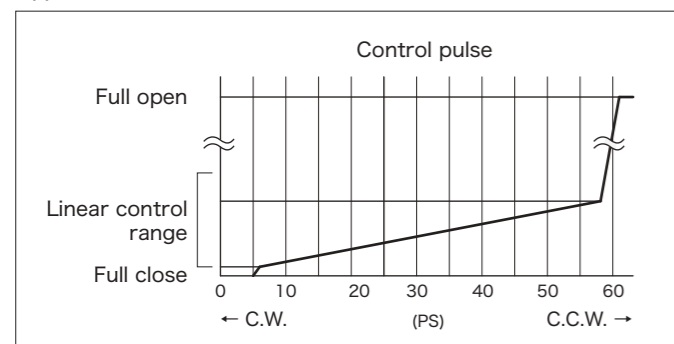


Flow direction (Fixed pulse rate)

Mode	Pulse	Flow direction	
		A → B	A → C
1	4	Full open	Full open
2	17	Full open	Minimal open
3	25	Full open	Full close
4	38	Minimal open	Full close
5	48	Full close	Full close
6	60	Full close	Full open

VALVE OPERATION CHARACTERISTICS

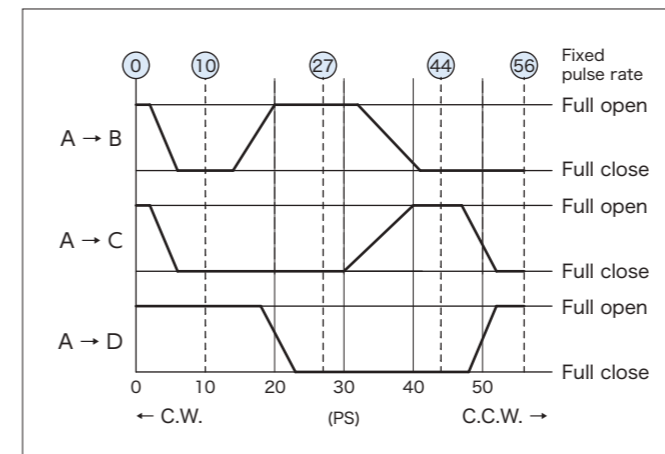
Type RKV-H06D



Control pulse

Pulse	Flow direction
	A → B
0	Full close
5 to 55	Linear control
64	Full open

Type RKV-K10D *



Flow direction (Fixed pulse rate)

Mode	Pulse	Flow direction		
		A → B	A → C	A → D
1	0	Full open	Full open	Full open
2	10	Full close	Full close	Full open
3	27	Full open	Full close	Full close
4	44	Full close	Full open	Full close
5	56	Full close	Full close	Full open

* Type RKV-B, C and K can be used only at fixed pulse rate.