

EXPANSION VALVES (SMALL CAPACITY TYPE)

High Volume OEM Item

Type ARX



GENERAL DESCRIPTION

- This product is expansion valve for small capacity.
- Application: Bottle cooler, display case, ice making machine, industrial air conditioner.

SPECIFICATIONS

- Charge: S-charge (MOP20°C), C-charge, CL-charge
- Max. working pressure: 3.0MPa {30kgf/cm²}
- Adjustable range of static superheat: 0 to 5°C



VALVE NOMENCLATURE

Catalog No. is decided according to the specifications.

Example: $\frac{ARX}{I} - \frac{2303}{II} \frac{D}{III} \frac{H}{IV} \frac{S}{V}$

I : Type..... ARX-Small capacity thermostatic expansion valve

II: Model..... The first and the second digits indicate inlet and outlet pipe size respectively.
The last two digits indicate nominal capacity.

III: Connection..... D-Solder Connection

IV: Refrigerant..... H = R22, M = R134a, P = R407C, U = R404A

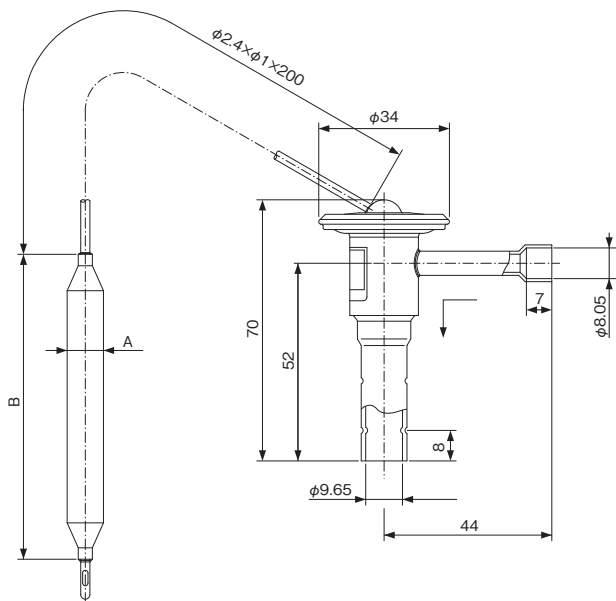
V: Charge type..... S = S-charge, C = C-charge, CL = CL-charge

TYPE NUMBER SELECTION

Catalog No.					Capacity (U.S.R.T.) {kW}				Connection		Capil. Tube Length (mm)	Wt. (kg)
Type	Model	Connection	Refrigerant	Charge	R134a	R22	R407C	R404A	Inlet	Outlet		
ARX-	2303	D (Solder)	H(R22) M(R134a) P(R407C) U(R404A)	S	0.48 {1.69}	0.36 {1.27}	0.50 {1.76}	0.34 {1.20}	5/16"	3/8"	200	0.12
	2305			(R22, R134a, R404A, R407C)	0.80 {2.81}	0.60 {2.11}	0.82 {2.88}	0.57 {2.00}				
	2308			C	1.28 {4.57}	0.96 {3.37}	1.34 {4.71}	0.93 {3.27}				
	2310			(R22) CL	1.60 {5.63}	1.20 {4.22}	1.65 {5.80}	1.14 {4.01}				
	2315			(R22, R404A)	2.40 {8.44}	1.80 {6.33}	2.47 {8.70}	1.71 {6.01}				

Capacity: Based on condensing temp. 38°C and evaporating temp. 5°C.

DIMENSIONS



Unit: mm

Refrigerant	Charge	A	B
H(R22) M(R134a) U(R404A)	S	3/8"	80
P(R407C)	S	1/2"	80
H(R22)	C	1/2"	80
H(R22) U(R404A)	CL	3/8"	50