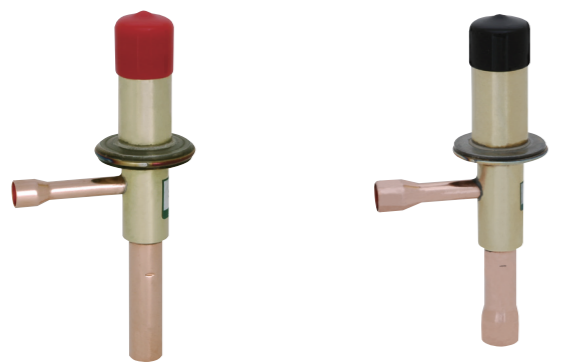


CONSTANT PRESSURE EXPANSION VALVES, CAPACITY REGULATING VALVES / Type CGX & SPX



Type CGX

Type SPX

High Volume OEM Item

Drawings must be exchanged for purchase. Please contact SAGINOMIYA for more details.

FEATURES

- Suitable for capacity control of equipment operating at low load.

APPLICATIONS

- Air dryers
- Spot coolers
- Refrigerators / Freezers
- Chillers, etc.

COMMON SPECIFICATIONS

	CGX	SPX
Equalizer Type	Internal	
Max. working pressure	2.5 MPa (Except R410A) 3.3 MPa (R410A)	2.8 MPa (Except R410A) 3.3 MPa (R410A)
Body Max. temperature	80°C	
Adjustable range of pressure	0.35 to 0.5 MPa ○ increase about 0.075 MPa / rotation (Except R410A) 0.5 to 0.9 MPa ○ increase about 0.08 MPa / rotation (R410A)	0.2 to 0.6 MPa ○ increase about 0.075 MPa / rotation (Except R410A) 0.5 to 0.9 MPa ○ increase about 0.075 MPa / rotation (R410A)
Connection	Solder	

DESCRIPTION OF CATALOG NUMBER

- CGX, SPX (Except CGX-2623D)

- CGX-2623D

CGX - $\frac{2}{I}$ $\frac{3}{II}$ $\frac{15}{III}$ $\frac{D}{IV}$ $\frac{U}{V}$ $\frac{U}{VI}$

CGX - $\frac{26}{I}$ $\frac{2}{II}$ $\frac{3}{III}$ $\frac{D}{IV}$ $\frac{U}{V}$ $\frac{U}{VI}$

I	Type
II	Inlet pipe size
III	Outlet pipe size
IV	Capacity
V	Connection
VI	Refrigeration

I	Type
II	Capacity
III	Inlet pipe size
IV	Outlet pipe size
V	Connection
VI	Refrigeration

TYPE NUMBER SELECTION

Type	Catalog No.		Equalizer Type	Adjustable range of set pressure (MPa)	Connection		Factory pressure setting (MPa)	Wt. (kg)
	Model	Refrigerant			Inlet	Outlet		
CGX	2315D	M (R134a) U (R404A) P (R407C) C1 (R448A) C1 (R449A)	Internal	0.35 to 0.5	5/16" Solder	3/8" Solder	M : 0.206 ± 0.02 U : 0.51 ± 0.02 P : 0.373 ± 0.02 C1 : 0.412 ± 0.02	0.15
	2623D	V (R410A)		0.5 to 0.9			V : 0.72 ± 0.02	0.22
SPX	4540D	M (R134a) U (R404A) P (R407C) V (R410A) C1 (R448A) C1 (R449A)		0.5 to 0.9 (R410A) 0.2 to 0.6 (Others)	1/2" Solder	5/8" Solder	M : 0.206 ± 0.02 U : 0.51 ± 0.02 P : 0.373 ± 0.02 V : 0.72 ± 0.02 C1 : 0.412 ± 0.02	0.26 (0.33) *

* SPX-4540DV

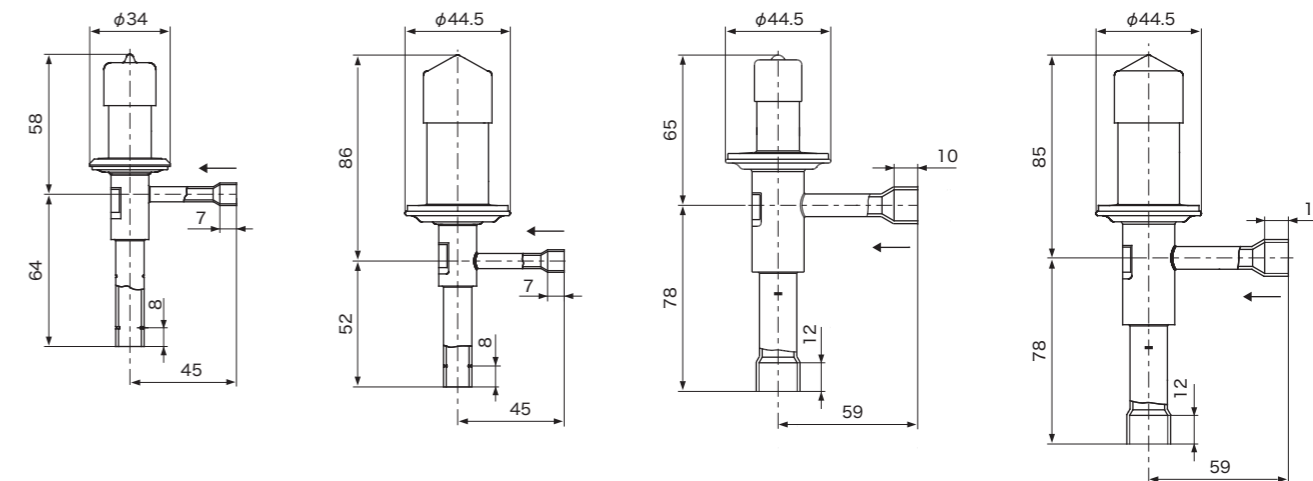
• For other refrigerant, please contact SAGINOMIYA.

Type	Catalog No.		Capacity (U.S.R.T.) {kW}				
	Model	Refrigerant	CT 38°C / ET 5°C [CT 40°C / ET -10°C]				
			R134a	R404A	R407C	R410A	R448A
CGX	2315D	M (R134a) U (R404A) P (R407C) C1 (R448A) C1 (R449A)	1.80 {6.33} [0.22 {0.76}]	1.71 {6.01} [0.28 {0.97}]	2.47 {8.69} [0.33 {1.16}]	—	2.26 {7.93} [0.31 {1.09}]
	2623D	V (R410A)	—	—	—	2.64 {9.28} [1.24 {2.09}]	—
SPX	4540D	M (R134a) U (R404A) P (R407C) V (R410A) C1 (R448A) C1 (R449A)	4.81 {16.9} [0.33 {1.17}]	4.55 {16.0} [0.43 {1.50}]	6.60 {23.2} [0.51 {1.78}]	7.05 {24.8} [0.75 {2.64}]	6.29 {22.1} [0.48 {1.68}]

• Capacity : CT 38°C / ET 5°C : Application for constant pressure expansion valves
CT 40°C / ET -10°C : Application for capacity regulating valves (Hot gas 80°C)

• For other refrigerant, please contact SAGINOMIYA.

DIMENSIONS



Type CGX-2315D

Type CGX-2623D

Type SPX-4540D

Type SPX-4540D (for R410A)

Unit : mm