

EXPANSION VALVES

Type **SCX**

SAGInoMIYA

GENERAL DESCRIPTION

- Application: Chillers, cold chain boxes, heat pump air conditioner, air conditioning, etc.
- Suitable for refrigeration systems with hot gas defrosting.
- The same products can be used for R22 and R407C.
- With superheat external adjust device.

SPECIFICATIONS

- Max. working pressure: 3.0 MPa {30kgf/cm²}
- Adjustable range of static superheat:
 - 1 to 7°C at R22, R134a, R404A
 - 1 to 5°C at R407C, R410A
- ○ Increase about 0.045MPa / rotation
- Superheat change: 4 to 5°C (C, SL-charge)
3 to 4°C (SA-charge)



Type SCX-D



Type SCX-B

Charge	A Zone	R Zone	F Zone	MOP (°C)	Temp. Condition	
					Evaporating Temp. (°C)	
					Power Element Temp.: Ts, Sensing Bulb Temp.: Tb	
SA	R22	-40 to 10	-	-	18	Ts ≥ Tb
C		-	-40 to 0	-	-	Ts ≧ Tb
SL		-	-	-60 to -25	-20	Ts ≧ Tb
C	R134a	-30 to 10		-	-	Ts ≧ Tb
SA	R404A	-40 to 10	-	-	18	Ts ≥ Tb
C		-	-40 to 0	-	-	Ts ≧ Tb
SL		-	-	-60 to -25	-20	Ts ≧ Tb
SA	R407C	-40 to 10	-	-	18	Ts ≥ Tb
C		-	-40 to 0	-	-	Ts ≧ Tb
SA	R410A	-45 to 10	-	-	18	Ts ≥ Tb
C		-	-40 to -10	-	-	Ts ≧ Tb

VALVE NOMENCLATURE

Catalog No. is decided according to the specifications.

Example: $\frac{\text{SCX}}{\text{I}}$ - $\frac{0445}{\text{II}}$ $\frac{\text{D}}{\text{III}}$ $\frac{\text{U}}{\text{IV}}$ $\frac{\text{SA}}{\text{V}}$

I : Type..... SCX-External equalizer type

II : Model..... The first and the second digits indicate nominal capacity.

The last two digits indicate inlet and outlet pipe size respectively.

III: Connection..... B-Flare Connection, D-Solder Connection

IV: Refrigerant..... H = R22, M = R134a, P = R407C, U = R404A, V = R410A

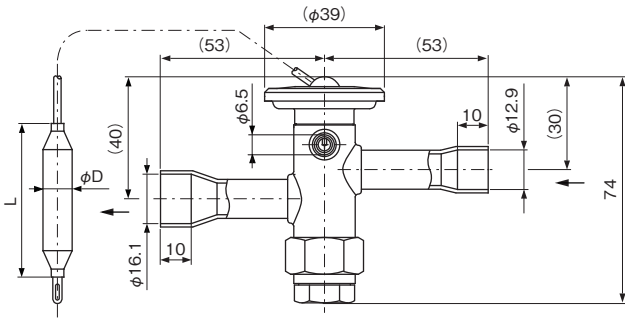
V: Charge type..... SL = SL-charge, C = C-charge, SA = SA-charge

TYPE NUMBER SELECTION

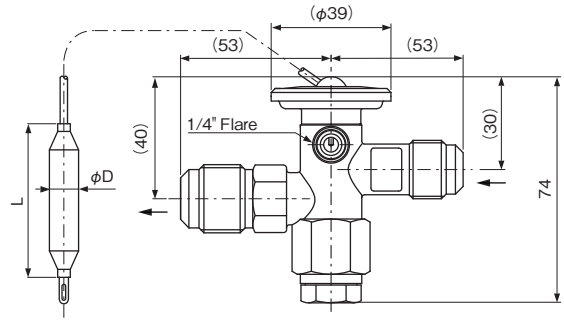
Application		Catalog No.		Refrigerant		Capacity (U.S.R.T.){kW}		Connection			Capil. Tube Length (mm)	Wt. (kg)		
						A,R Zone	F Zone	Inlet	Outlet	Equalizer				
						C.T. 38°C	C.T. 38°C							
						E.T. -5°C	E.T. -30°C							
F Zone	Freezing	-60 to -25°C (SL:R22,R404A)	SCX-	0645D[B]HSL	R22	-	3.25 {11.4}	1/2" Solder(D) [1/2" Flare(B)]	5/8" Solder(D) [5/8" Flare(B)]	1/4" Solder(D) [1/4" Flare(B)]	φ 2.4 × 1500	0.31 (SCX-**45D) 0.39 [SCX-**45B] 0.32 (SCX-**57D)		
				0845D[B]HSL			4.53 {15.9}							
				1057DHSL			5.70 {20.0}							
				1257DHSL			6.83 {24.0}							
				1457DHSL			8.08 {28.4}							
			0445D[B]USL	R404A	-	1.92 {6.74}	1/2" Solder(D) [1/2" Flare(B)]	5/8" Solder(D) [5/8" Flare(B)]						
			0545D[B]USL			2.67 {9.39}								
			0657DUSL			3.36 {11.8}								
		0857DUSL	4.03 {14.2}											
		0957DUSL	4.76 {16.7}											
		R Zone	Refrigeration	-30 to 10°C (C:R134a)	SCX-	0545D[B]MC	R134a	-	4.76 {16.7}				1/2" Solder(D) [1/2" Flare(B)]	5/8" Solder(D) [5/8" Flare(B)]
						0745D[B]MC			6.62 {23.3}					
						0857DMC			8.32 {29.3}					
						1057DMC			9.98 {35.1}					
						1257DMC			11.8 {41.5}					
					-40 to 0°C (C:R22,R404A,R407C)	SCX-	R22	0645D[B]HC	5.78 {20.3}				-	1/2" Solder(D) [1/2" Flare(B)]
0845D[B]HC	8.05 {28.3}													
1057DHC	10.1 {35.6}													
1257DHC	12.1 {42.6}													
1457DHC	14.4 {50.5}													
R404A	0445D[B]UC					3.65 {12.8}	-	1/2" Solder(D) [1/2" Flare(B)]	5/8" Solder(D) [5/8" Flare(B)]					
	0545D[B]UC					5.08 {17.9}								
	0657DUC			6.38 {22.5}										
	0857DUC			7.66 {26.9}										
	0957DUC			9.06 {31.9}										
R407C	0645D[B]HC			5.95 {20.9}		-	1/2" Solder(D) [1/2" Flare(B)]	5/8" Solder(D) [5/8" Flare(B)]						
	0845D[B]HC			8.29 {29.1}										
	1057DHC			10.4 {36.6}										
	1257DHC			12.5 {43.9}										
	1457DHC			14.8 {52.0}										
-40 to -10°C (C:R410A)	SCX-			R410A	0645D[B]VC	6.38 {22.4}	-	1/2" Solder(D) [1/2" Flare(B)]	5/8" Solder(D) [5/8" Flare(B)]					
					0945D[B]VC	8.87 {31.2}								
					1157DVC	11.2 {39.2}								
					1357DVC	13.4 {47.0}								
		1657DVC	15.8 {55.6}											
A Zone	Air Conditioning	-40 to 10°C (SA:R22,R404A,R407C)	SCX-	0645D[B]HSA	R22	-	5.78 {20.3}	1/2" Solder(D) [1/2" Flare(B)]	5/8" Solder(D) [5/8" Flare(B)]					
				0845D[B]HSA			8.05 {28.3}							
				1057DHSA			10.1 {35.6}							
				1257DHSA			12.1 {42.6}							
				1457DHSA			14.4 {50.5}							
			R404A	0445D[B]USA	3.65 {12.8}	-	1/2" Solder(D) [1/2" Flare(B)]	5/8" Solder(D) [5/8" Flare(B)]						
				0545D[B]USA	5.08 {17.9}									
				0657DUSA	6.38 {22.5}									
				0857DUSA	7.66 {26.9}									
				0957DUSA	9.06 {31.9}									
			R407C	0645D[B]HSA	5.95 {20.9}	-	1/2" Solder(D) [1/2" Flare(B)]	5/8" Solder(D) [5/8" Flare(B)]						
				0845D[B]HSA	8.29 {29.1}									
				1057DHSA	10.4 {36.6}									
				1257DHSA	12.5 {43.9}									
				1457DHSA	14.8 {52.0}									
		-45 to 10°C (SA:R410A)	SCX-	R410A	0645D[B]VSA	6.38 {22.4}	-	1/2" Solder(D) [1/2" Flare(B)]	5/8" Solder(D) [5/8" Flare(B)]					
					0945D[B]VSA	8.87 {31.2}								
					1157DVSA	11.2 {39.2}								
					1357DVSA	13.4 {47.0}								
					1657DVSA	15.8 {55.6}								

DIMENSIONS

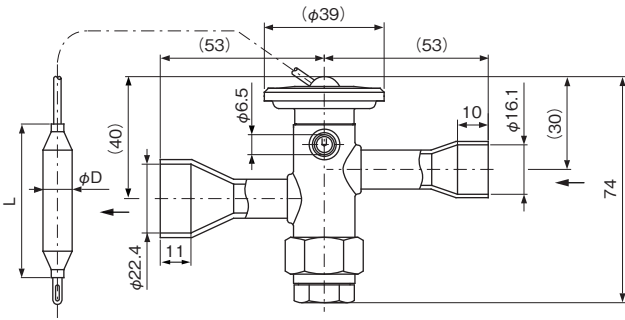
Type SCX--**45D



Type SCX--**45B



Type SCX--**57D



	D	L
SA	12.7	80
C	9.5	50
SL	12.7	80

Unit: mm

ACCESSORY

- Sensing Bulb Mounting Band

