

SINGLE FUNCTION PRESSURE CONTROLS

Type **SNS & HNS**

SAGInoMIYA

GENERAL DESCRIPTION

- For use with fluorinated refrigerants as well as with air and water. (Allowable fluid temp.: -20 to 120°C)
- Type SNS for universal application.
- Type HNS for high pressure safety cut out.
- Available drip proof enclosure for marine application or explosion proof enclosure for special application.
- Mounting bracket is supplied as standard.
- With SPDT contact mechanism.
- IP44 with upper lid (option).
- Stainless steel models are available upon request.



Type SNS



Type HNS

CE mark applicable (available upon request)

UL recognized (available upon request)

SPECIFICATIONS

- Fluid temperature: -20 to 120°C
- Ambient temperature: -20 to 70°C

TYPE NUMBER SELECTION

Type SNS—Automatic reset type

Unit: MPa {kgf/cm²}

Catalog No.	Range		Differential		Factory Setting		Max. Working Pressure	Contact Function	Wt. (kg)		
	Min.	Max.	Min.	Max.	Off (On)	On (Off)					
SNS-C101X	-0.06 {-50cmHg}	0.1 {1}	0.015 {0.15}	0.05 {0.5}	0.025 {0.25}	0.05 {0.5}	0.3 {3}	Diagram 1	0.33		
SNS-C102X	-0.02 {-20cmHg}	0.2 {2}	0.025 {0.25}	0.15 {1.5}			0.5 {5}				
SNS-C103X	-0.06 {-50cmHg}	0.3 {3}	0.035 {0.35}	0.2 {2}	0.05 {0.5}	0.15 {1.5}	1 {10}				
SNS-C104X	-0.06 {-50cmHg}	0.4 {4}	0.04 {0.4}		0.1 {1}	0.2 {2}					
SNS-C106X	-0.06 {-50cmHg}	0.6 {6}	0.06 {0.6}	0.4 {4}	0.2 {2}	0.3 {3}	1.5 {15}				
SNS-C110X	0.1 {1}	1 {10}	0.1 {1}	0.3 {3}	0.4 {4}	0.6 {6}	3 {30}				
SNS-C120X	0.5 {5}	2 {20}	0.2 {2}	0.5 {5}	1.2 {12}	1.5 {15}					
SNS-C130X		3 {30}	0.3 {3}	1 {10}	2 {20}	2.5 {25}				3.3 {33}	
SNS-C135X	1 {10}	3.5 {35}	0.5 {5}	1.5 {15}	2.5 {25}	3 {30}	3.8 {38}				

Type SNS—Manual reset type

Unit: MPa {kgf/cm²}

Catalog No.	Range		Manual Reset	* Factory Setting		Max. Working Pressure	Contact Function	Wt. (kg)
	Min.	Max.		Off	On			
SNS-C102XM2	-0.02 {-20cmHg}	0.2 {2}	Automatic operation on pressure decrease, and manual reset on pressure increase ※1	0.025 {0.25}	Manual Reset	0.5 {5}	Diagram 2	0.33
SNS-C106XM2	-0.06 {-50cmHg}	0.6 {6}		0.2 {2}		1.5 {15}		
SNS-C130XM2	0.5 {5}	3 {30}		2 {20}		3.3 {33}		

* Based on the 1-3 terminal connection.

Type HNS—Automatic reset type

Unit: MPa {kgf/cm²}

Catalog No.	Range		Differential Fixed	* Factory Setting		Max. Working Pressure	Contact Function	Wt. (kg)
	Min.	Max.		Off	On			
HNS-C130X	0.8 {8}	3 {30}	0.3 to 0.5 {3 to 5}	2 {20}	1.6 {16}	3.3 {33}	Diagram 3	0.24

* Based on the 1-3 terminal connection.

Type HNS—Manual reset type

Unit: MPa {kgf/cm²}

Catalog No.	Range		Manual Reset	* Factory Setting		Max. Working Pressure	Contact Function	Wt. (kg)
	Min.	Max.		Off	On			
HNS-C130XM1	0.8 {8}	3 {30}	Automatic operation on pressure increase, and manual reset on pressure decrease ※2	2 {20}	Manual Reset	3.3 {33}	Diagram 4	0.24

* Based on the 1-3 terminal connection.

• Enclosure: IP20

• Drip Proof Models: Available upon request. (Refer to page 48, 49, 50, 51.)

※1 Please press the reset button after the pressure increased at specified point.

Pressure Range : 02 ... about 0.04 MPa

06 ... about 0.1 MPa

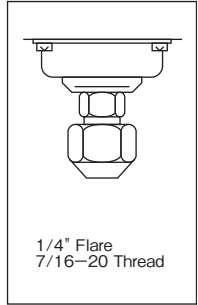
30 ... about 0.5 MPa

※2 Please press the reset button after the pressure decreased about 0.7 MPa or less.

ELECTRICAL RATINGS

Rated Current (A)	Rated Voltage (V)	Power Factor (cos φ)	125/250V. AC
Non-Inductive Current		1	12
Inductive Current		0.75	
Inrush Current		—	72

PRESSURE CONNECTIONS



Standard

Refer to page 45, 46.

CONTACT FUNCTIONS

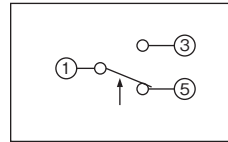


Diagram 1

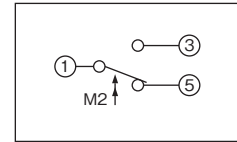


Diagram 2

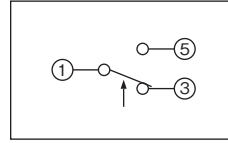


Diagram 3

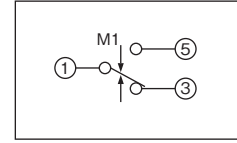


Diagram 4

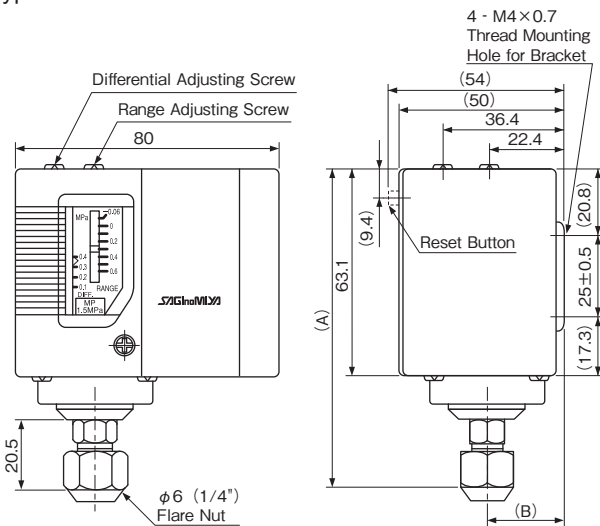
	Diagram 1 & 2	Diagram 3 & 4
1	Common Terminal	Common Terminal
3	Open on Pressure Increase	Open on Pressure Increase
5	Open on Pressure Decrease	Open on Pressure Decrease

↑ : Operating direction on press. increase at High Press. Side
M1↓, M2↑ : Operating direction on manual reset

DIMENSIONS

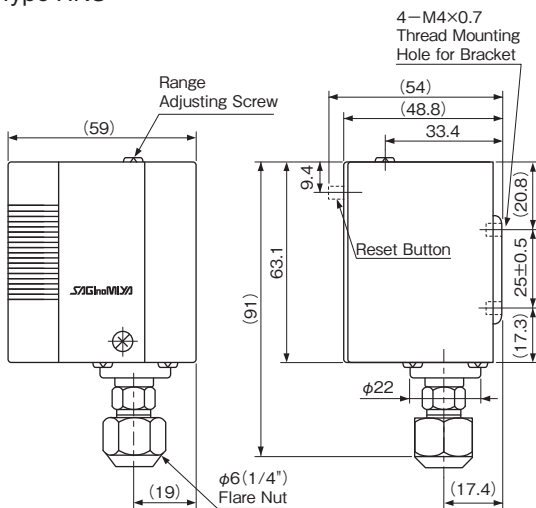
Standard

Type SNS



Catalog No.	Unit: mm	
	A	B
SNS-C101X	113.3	22.4
SNS-C102X	99.7	
SNS-C103X	99.7	
SNS-C104X	96.8	
SNS-C110X	95.9	
SNS-C120X	93.5	18.4
SNS-C130X	93.5	
SNS-C102XM2	99.7	22.4
SNS-C106XM2	96.8	
SNS-C130XM2	93.5	18.4

Type HNS



Unit: mm