

PRESSURE SENSORS

High Volume OEM Item (Type NSK)

Type NSK & XSK

SAGINOMIYA

GENERAL DESCRIPTION

- High reliability and accuracy
- Double diaphragm structure
- Diffusion silicone chip pressure sensor

SPECIFICATIONS

- Fluid temperature range: -30 to 120°C (Type NSK)
-20 to 70°C (Type XSK)
- Ambient temperature range: -30 to 100°C (Type NSK-BC, BE)
-30 to 80°C (Type NSK-BH)
-20 to 70°C (Type XSK)



CE mark applicable (available upon request)

UL recognized (available upon request)

TYPE NUMBER SELECTION

Unit: MPa (bar)

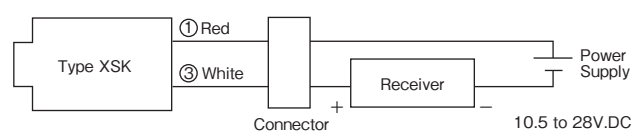
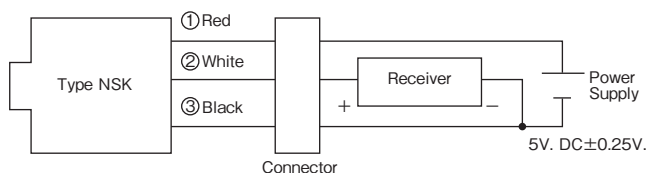
Catalog No.	Pressure Range	Supply Voltage	Output	* Accuracy	Current Consumption	Load Resistance	Airtight Pressure	Wt. (kg)	
BC	010I-***	5V. DC ± 0.25V	0.5 to 3.5V. DC or 0.5 to 4.5V. DC	±2.5% F.S.	Max. 10mA	Min. 10 kΩ	3.85 {38.5}	0.07	
	017I-***								0 to 1.7 {0 to 17}
	020I-***								0 to 2 {0 to 20}
	030I-***								0 to 3 {0 to 30}
	035I-***								0 to 3.5 {0 to 35}
	042I-***								0 to 4.15 {0 to 41.5}
050I-***	0 to 5 {0 to 50}								
NSK- BE	010I-***	5V. DC ± 0.25V	0.5 to 3.5V. DC or 0.5 to 4.5V. DC	±2.5% F.S.	Max. 10mA	Min. 10 kΩ	3.85 {38.5}	0.04	
	017I-***								0 to 1.7 {0 to 17}
	020I-***								0 to 2 {0 to 20}
	030I-***								0 to 3 {0 to 30}
	035I-***								0 to 3.5 {0 to 35}
	042I-***								0 to 4.15 {0 to 41.5}
050I-***	0 to 5 {0 to 50}								
NSK- BH	010D-***	5V. DC ± 0.25V	0.5 to 3.5V. DC or 0.5 to 4.5V. DC	±2.5% F.S.	Max. 10mA	Min. 10 kΩ	3.85 {38.5}	0.06	
	017D-***								0 to 1.7 {0 to 17}
	020D-***								0 to 2 {0 to 20}
	030D-***								0 to 3 {0 to 30}
	035D-***								0 to 3.5 {0 to 35}
	042D-***								0 to 4.15 {0 to 41.5}
050D-***	0 to 5 {0 to 50}								
XSK- AC	10I-194	10.5 to 28V. DC	4 to 20mA. DC	±3% F.S.	—	Max. 100Ω at 12V. DC Max. 500Ω at 24V. DC	3.85 {38.5}	0.09	
	20I-194								0 to 2 {0 to 20}
	30I-194								0 to 3 {0 to 30}
	35I-194								0 to 3.5 {0 to 35}
	50I-194								0 to 5 {0 to 50}

* Included non linearity hysteresis, and temperature drift

* Accuracy of 2.5% or less is available upon request.

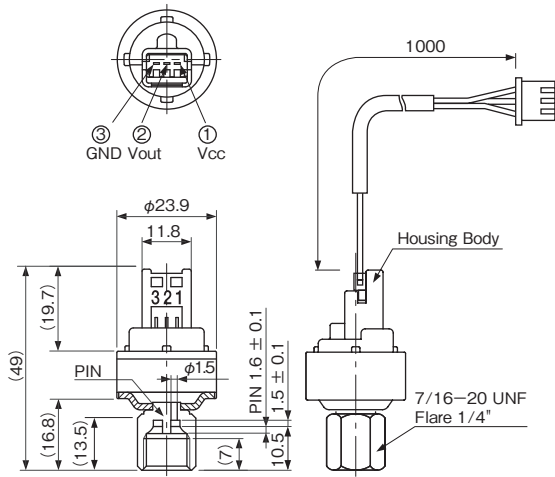
• Enclosure: IP66 (Type NSK-BH)

WIRING

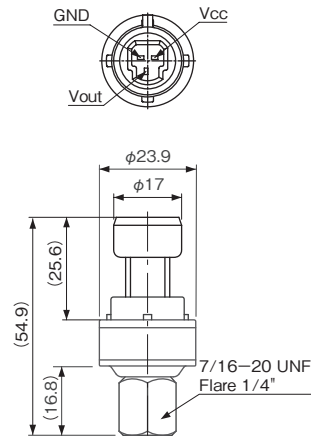


DIMENSIONS

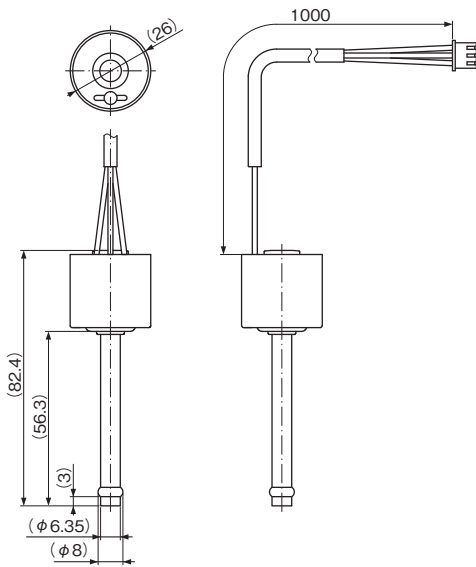
Type NSK-BC (Molex connector)



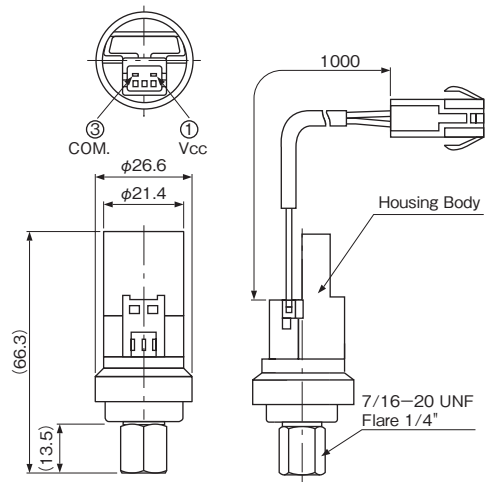
Type NSK-BE (Packard connector)



Type NSK-BH (Lead wire direct Connector)



Type XSK (Molex connector)



Unit: mm

ACCESSORY

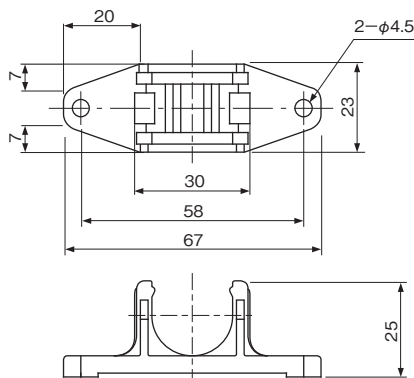
- Lead wire with connector is supplied as standard accessory except for NSK-BE type.

OPTIONAL PARTS

Bracket

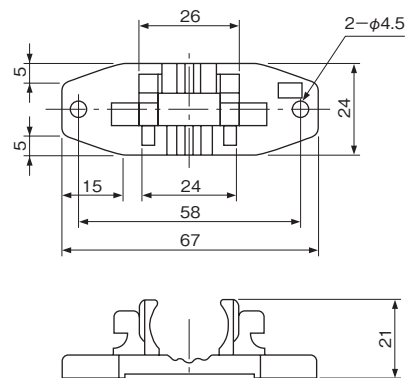
- NSK

Type No. NSK-PP02 (for NSK-BC, BE)



- XSK

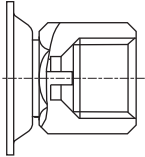
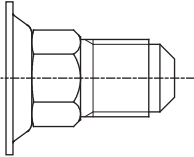
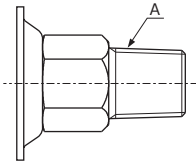
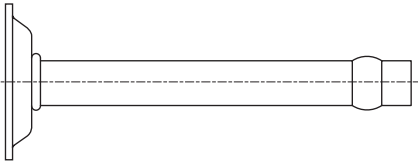
Type No. YSK-PP02



Unit: mm

PRESSURE CONNECTIONS

- Connection Material
Stainless steel pressure connection is available upon request. (R only)
- Connection Style
Standard connection style is 7/16–20UNF Female Flare with schrader depressor.
The following connection styles are available upon request.

7/16–20UNF Female Flare 1/4" with schrader depressor	7/16–20UNF Male Flare 1/4"									
										
R	1/4" Copper Solder (Type NSK–BH)									
 <table border="1" data-bbox="491 719 743 871"> <thead> <tr> <th>A</th> <th>Type</th> </tr> </thead> <tbody> <tr> <td rowspan="2">1/8"</td> <td>NSK</td> </tr> <tr> <td>XSK</td> </tr> <tr> <td>1/4"</td> <td>XSK</td> </tr> <tr> <td>3/8"</td> <td>XSK</td> </tr> </tbody> </table>	A	Type	1/8"	NSK	XSK	1/4"	XSK	3/8"	XSK	
A	Type									
1/8"	NSK									
	XSK									
1/4"	XSK									
3/8"	XSK									