

SOLENOID VALVES FOR CO₂ REFRIGERANT / Type HPV



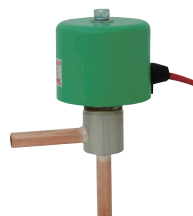
Type HPV-102D



Type HPV-122D



Type HPV-402DQ3



Type HPV-825D

High Volume OEM Item

Drawings must be exchanged for purchase. Please contact SAGINOMIYA for more details.

Coil sold separately

FEATURE

- Ultra-high pressure available. (MAX working pressure 13.0 to 15.0 MPa)
- Compact design and highly sealed structure
- Available for hot gas defrosting circuits and for emergency cut-out.
- Standards : CE, UKCA (Please contact us for details such as approved specifications.)

APPLICATIONS

- CO₂ Condensing units
- CO₂ Display cases
- CO₂ Bottle coolers
- CO₂ Refrigerator / Freezers
- CO₂ Heat pump water heaters, etc.

COMMON SPECIFICATION

- Fluid Temperature : -30 ~ 120°C
- Ambient temperature : -20 ~ 50°C
- Normally Closed

DESCRIPTION OF CATALOG NO.

HPV - 10 2 D Q1	I	Type
I II III IV V	II	Port Size
	III	Connection tube O.D.
HPV - 8 25 D S	IV	Connection type
I II III IV VI	V	Serial number
	VI	—

* Coil is not included with the body.

TYPE NUMBER SELECTION

Catalog No.		Port Size (mm)	Cv Value	Connection		O.P.D. (MPa)		Max. working pressure (MPa)	* Wt. (kg)
Type	Model			Style	Connection size	Min.	Max.		
HPV	102DQ1	1.0	0.028	Copper tube solder (ODM)	1/4"	0	10.0	13.0	0.05
	122D	1.2	0.038					13.8	0.08
	402DQ3	4.0	0.32					14.0	0.09
	825DS	7.8	0.54					15.0	0.13

* Valve only (without coil)

COIL SELECTION

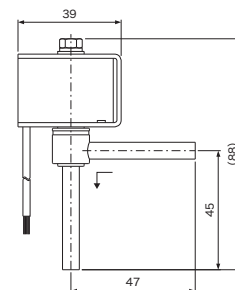
Valve body catalog No.	Rated Voltage	Frequency (Hz)	Tolerance (%)	Voltampere (VA)		Power consumption (W)	Insulation Class	* 2 Wt. (kg)
				Running	Inrush			
HPV	102DQ1	50/60	± 10	11/8	32/27	6/4.5	Class B Molded * 1	0.13
	122D			16/13	52/38	9/8		0.18
	402DQ3			10/8	32/26	5.5/4.5		0.16
	825DS			14/11	42/33	7/6		0.20

* 1 Compliant with IEC60085, 60335-2-40. Some models are Class E coils. Please contact us for details.

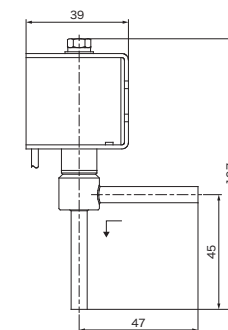
* 2 HPV-102DQ1, 122D, 402DQ3 : For lead wire length of 300mm, HPV-825DS : For lead wire length of 280mm.

• Current (A) = Voltampere / Rated Voltage

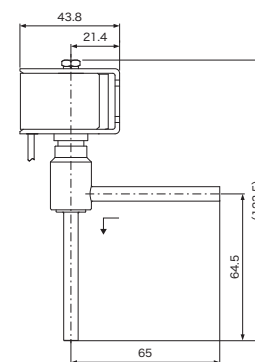
DIMENSIONS



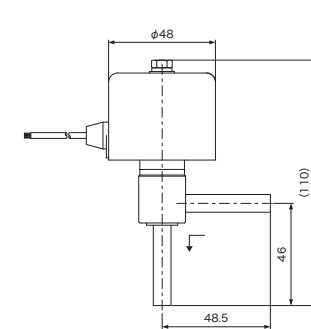
Type HPV-102DQ1



Type HPV-122D



Type HPV-402DQ3



Type HPV-825D

Unit : mm

* Please contact us if other connection types are required.