

# SOLENOID VALVES FOR REFRIGERANT

Type SEV

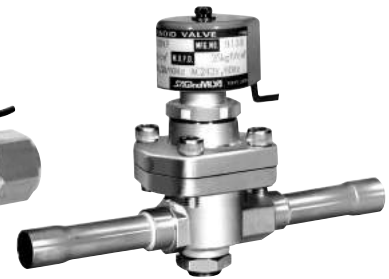
SAGINOMIYA

## GENERAL DESCRIPTION

- Pilot operated, 2-way, normally closed valve.
- For non-corrosive refrigerant (liquid or gas) in refrigeration units. Also available for air application.
- Can operate under no pressure difference. (SEV-303, 502 and 603)
- Can install horizontally and vertically. (Coil should be located above the axis of pipe line.)



Type SEV-B



Type SEV-D

## TYPE NUMBER SELECTION

Unit: MPa {kgf/cm<sup>2</sup>}

Catalog No.	Port Size (mm)	Cv Value	* Nominal Capacity (U.S.R.T.) {kw}				Connection		O.P.D.		Max. Working Pressure	Body Test Press.	Fluid Temp. (°C)	Ambient Temp. (°C)	Wt. (kg)
			R410A	R134a	R404A	R22	Copper Tube O.D.	Style	Min.	Max.					
SEV-303BXF	3	0.25	2.25 {7.91}	1.05 {3.7}	0.73 {2.57}	1.13 {3.97}	3/8"	Flare	0	2.45 {25} for AC	X: 2.94 {30}	X: 4.41 {45}	-40 to 125	-30 to 50	0.4
SEV-502BXF	5	0.51	3.5 {12.4}	2.2 {7.6}	1.5 {5.2}	2.3 {8.1}	1/4"								
SEV-502BYF	5	0.51	3.5 {12.4}	2.2 {7.6}	1.5 {5.2}	2.3 {8.1}	1/4"								
SEV-603BXF	6	0.80	8.5 {29.8}	3.4 {11.8}	2.3 {8.2}	3.6 {12.7}	3/8"								
SEV-603BYF	6	0.80	8.5 {29.8}	3.4 {11.8}	2.3 {8.2}	3.6 {12.7}	3/8"								
SEV-1004BXF	10	1.75	14.8 {52.2}	7.4 {25.9}	5.1 {18.0}	7.9 {27.8}	1/2"								
SEV-1004BYF	10	1.75	14.8 {52.2}	7.4 {25.9}	5.1 {18.0}	7.9 {27.8}	1/2"								
SEV-1205BXF	12	2.9	22.5 {79.1}	12.2 {42.9}	8.5 {29.8}	13.1 {46.0}	5/8"								
SEV-1205BYF	12	2.9	22.5 {79.1}	12.2 {42.9}	8.5 {29.8}	13.1 {46.0}	5/8"								
SEV-1506BXF	15	4.5	19.1 {67.2}	18.9 {66.6}	13.2 {46.3}	20.3 {71.4}	3/4"								
SEV-502DXF	5	0.53	2.2 {7.9}	2.2 {7.9}	1.5 {5.5}	2.4 {8.4}	1/4"	Solder	0	1.96 {20} for DC	Y: 4.2 {42}	Y: 6.3 {63}	-40 to 125	-30 to 50	0.3
SEV-502DYF	5	0.53	2.2 {7.9}	2.2 {7.9}	1.5 {5.5}	2.4 {8.4}	1/4"								
SEV-603DXF	6	0.83	3.5 {12.4}	3.5 {12.3}	2.4 {8.5}	3.8 {13.2}	3/8"								
SEV-603DYF	6	0.83	3.5 {12.4}	3.5 {12.3}	2.4 {8.5}	3.8 {13.2}	3/8"								
SEV-1004DXF	10	2.0	8.5 {29.8}	8.4 {29.6}	5.9 {20.6}	9.0 {31.7}	1/2"								
SEV-1004DYF	10	2.0	8.5 {29.8}	8.4 {29.6}	5.9 {20.6}	9.0 {31.7}	1/2"								
SEV-1205DXF	12	3.5	14.8 {52.2}	14.7 {51.8}	10.2 {36.0}	15.8 {55.5}	5/8"								
SEV-1205DYF	12	3.5	14.8 {52.2}	14.7 {51.8}	10.2 {36.0}	15.8 {55.5}	5/8"								
SEV-1506DXF	15	5.3	22.5 {79.1}	22.3 {78.5}	15.5 {54.5}	23.9 {84.1}	3/4"								
SEV-1506DYF	15	5.3	22.5 {79.1}	22.3 {78.5}	15.5 {54.5}	23.9 {84.1}	3/4"								

\* Nominal capacities are based on ΔP = 0.015 MPa, condensing temp. = 38°C and evaporating temp. = 5°C, Supercool temp. = 0°C

• Weight includes a coil

• Enclosure IP34 (SEV-W:Drip proof model)

## ELECTRICAL RATING OF SOLENOID COILS

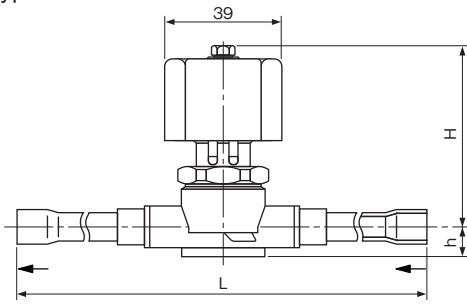
Rated Voltage	Tolerance (%)	Voltampere (VA)		Power Consumption (W)	* Insulation Class	
		Running	Inrush			
24V.AC, 100V.AC, 110V.AC 200V.AC, 220V.AC, 240V.AC	50/60Hz	±10	15/11	45/33	7/6	Class B Molded
12V. DC, 24V. DC, 100V. DC	—		—	—	10	

Current (A) = Voltampere / Rated Voltage

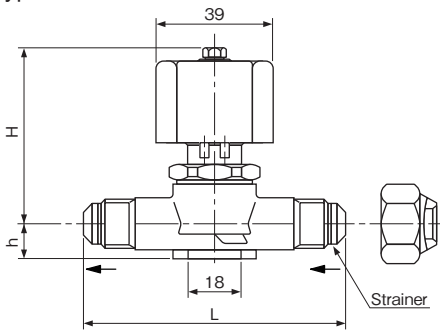
\* IEC compliance

# DIMENSIONS

Type SEV-D



Type SEV-B



Unit: mm

Catalog No.	Unit: mm			
	L	H	h	
SEV-	303B	85	58	11.5
	502B			
	603B			
	1004B	105	85	20.5
	1205B	115	88	22
	1506B	135	95	25
	502D	270	58	10.5
	603D			
	1004D			
	1205D	180	88	22
1506D	190	95	25	