




SOLENOID VALVES FOR REFRIGERANT / Type SEV




Click or scan here for the capacity table. =>



URL : https://saginomiya.co.jp/en/auto/pdf/sev_capacity.pdf




Type SEV-603BYF
(Lead Wire type)

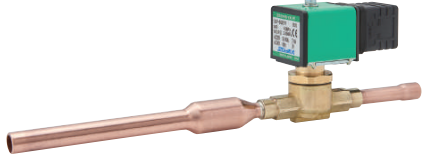


Type SEV-603DYF
(DIN plug)

Coil sold separately



Type SEV-1004DYF
(Lead Wire type)



Type SEV-603DYF
(DIN plug (with socket), with Strainer)

TYPE NUMBER SELECTION

Catalog No.				Port Size (mm)	Cv Value	Connection		O.P.D. (MPa)		Max. working pressure (MPa)	Strainer with / without	* 2 Wt. (kg)		
Type	Model	Fluid	Special application			Style	Connection size	Min.	Max.					
SEV	303BY	F Various refrigerants * 1	-	3	0.25	Flare	3/8"	0	2.45 (AC Coil)	4.2	with	0.3		
	502BY			5	0.51		1/4"							
	603BY			6	0.80		3/8"							
	1004BY			10	1.75		1/2"							
	1205BY			12	2.9		5/8"							
	1506BY			15	4.5	3/4"								
	303DY			A (Air) C (Inert gases)	-	3	0.25	Copper tube solder (ODF)	3/8"	0	1.96 (DC Coil)	4.2	without	0.15
	502DY					5	0.53		1/4"					
	603DY					6	0.83		3/8"					
	604DY					10	2.0		1/2"					
	1004DY					10	2.0		1/2"					
	1005DY					12	3.5		5/8"					
	1205DY					12	3.5		5/8"					
	1506DY					15	5.3		3/4"					
	1507DY					15	5.3		7/8"					
	502DY	Q50	-	5	0.53	Copper tube solder (ODF)	1/4"	0		4.2	with	0.25		
	603DY			Q300	6		0.83						3/8"	
	604DY												1/2"	

* 1 R134a, R404A, R407C, R410A, R448A, R449A, R407H, R463A-J (For other refrigerants, please contact us.)
 * 2 Valve only (without coil)

FEATURES

- Versatile valve body and coil lineup enable wider applications.
- Capable of handling various low GWP refrigerants (R448A, R449A, R407H, R463A-J and others)
- Strainer is installed in flare connection models. Solder connection models with strainer (type Q50) are also available for some sizes.
- Coils can be selected from various lineups. It can be used in common regardless of valve body types and connection sizes.
- Standards : CQC, CE, UKCA (Please contact us for details such as approved specifications.)

APPLICATIONS

- Condensing units
- Cooling units
- Chillers
- Dehumidifiers
- Air conditioning systems, etc.

COMMON SPECIFICATIONS

- Max. working pressure : 4.2 MPa
- Fluid Temperature : -40~125°C
- Ambient temperature : -30~50°C
- Normally Closed
- Flare type, Solder type

DESCRIPTION OF CATALOG NO. (BODY) *

SEV - 15 06 B Y F
 I II III IV V VI

I	Type
II	Port Size
III	Connection tube O.D.
IV	Connection type
V	Pressure class
VI	Fluid

* Coil is not included with the body. Please specify the catalog number of coil and purchase it separately.

COIL SELECTION

Description of Coil Catalog No.

SEV - A 1 W 20C
 I II III IV

I	Power supply
II	Voltage
III	Coil Style
IV	Cable gland size

• IV is only when the Coil Style is "W".

Power supply / Voltage	
A1	: 100V.AC
A2	: 200V.AC
A3	: 110V.AC
A4	: 220V.AC
A7	: 24V.AC
AA	: 230V.AC
AB	: 240V.AC
AC	: 120V.AC
D6	: 12V.DC
D7	: 24V.DC

Coil Style	
R	: Lead Wire type
D	: DIN plug (with socket)
E	: DIN plug (without socket)
U	: Junction box type
W	: Drip-proof terminal box type

COIL SELECTION

Catalog No.		Coil Style	Coil Wt. (kg)	Rated Voltage	Frequency (Hz)	Tolerance (%)	Voltampere (VA)		Power consumption (W)	Insulation Class
Type	Model						Running	Inrush		
SEV	A1R	Lead Wire type	0.1	100V. AC	50/60	± 10	15/11	45/33	7/6	Class B Molded
	A1D	DIN plug (with socket)	0.2							
	A1E	DIN plug (without socket)	0.15							
	A1U	Junction box type	0.2							
	A1W20C	Drip-proof terminal box type	0.4							
	A2R	Lead Wire type	0.1	200V. AC						
	A2D	DIN plug (with socket)	0.2							
	A2E	DIN plug (without socket)	0.15							
	A2U	Junction box type	0.2							
	A2W20C	Drip-proof terminal box type	0.4							
	A3R	Lead Wire type	0.1	110V. AC						
	A3D	DIN plug (with socket)	0.2							
	A3E	DIN plug (without socket)	0.15							
	A3U	Junction box type	0.2							
	A3W20C	Drip-proof terminal box type	0.4							
	A4R	Lead Wire type	0.1	220V. AC						
	A4D	DIN plug (with socket)	0.2							
	A4E	DIN plug (without socket)	0.15							
	A4U	Junction box type	0.2							
	A4W20C	Drip-proof terminal box type	0.4							
	A7R	Lead Wire type	0.1	24V. AC						
	A7D	DIN plug (with socket)	0.2							
	A7E	DIN plug (without socket)	0.15							
	A7U	Junction box type	0.2							
	A7W20C	Drip-proof terminal box type	0.4							
	AAR	Lead Wire type	0.1	230V. AC						
	AAD	DIN plug (with socket)	0.2							
	AAE	DIN plug (without socket)	0.15							
	AAU	Junction box type	0.2							
	AAW20C	Drip-proof terminal box type	0.4							
	ABR	Lead Wire type	0.1	240V. AC						
	ABD	DIN plug (with socket)	0.2							
	ABE	DIN plug (without socket)	0.15							
ABU	Junction box type	0.2								
ABW20C	Drip-proof terminal box type	0.4								
ACR	Lead Wire type	0.1	120V. AC							
ACU	Junction box type	0.2								
ACW20C	Drip-proof terminal box type	0.4								
D6C	Lead Wire type	0.3	12V. DC	-	-	-	-	10		
D6W20C	Drip-proof terminal box type	0.5								
D7C	Lead Wire type	0.3	24V. DC							
D7W20C	Drip-proof terminal box type	0.5								

- The catalog numbers of drip-proof terminal box types are for the standard type (gland size 20c). Other gland sizes, 15a, 15b, 15c, 20a, and 20b are also available upon request.
- DIN plug socket : EN 175301-803 / ISO4400 (DIN 43650-A)
- IP Lead Wire type : IP67, DIN plug (with socket) : IP65, Drip-proof terminal box type : IP34
- Current (A) = Voltampere / Rated Voltage
- Drip-proof terminal box type can be used indoors where water drops may fall.

COIL SELECTION

(Type SEV-502BY)

Lead Wire type (AC coil, IP67)

(Type SEV-502BY)

Lead Wire type (DC coil, IP67)

(Type SEV-502BY)

DIN plug (without socket)

(Type SEV-502BY)

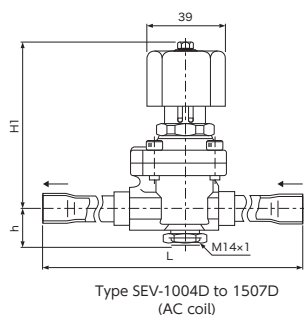
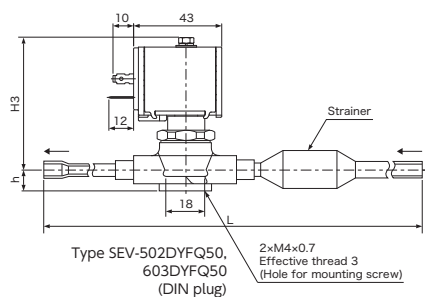
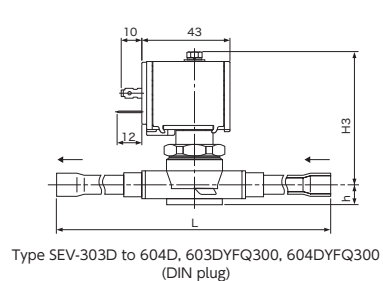
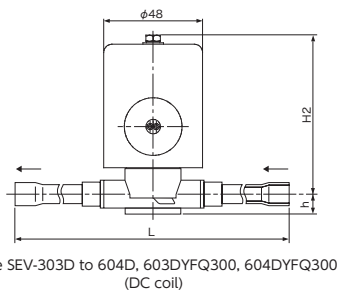
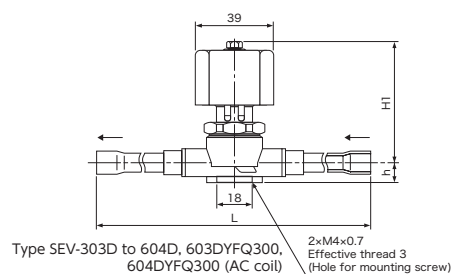
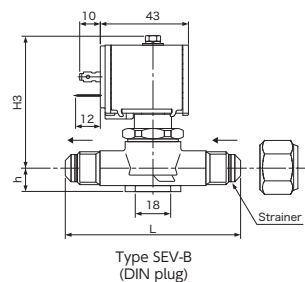
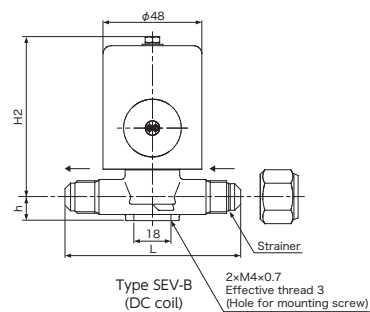
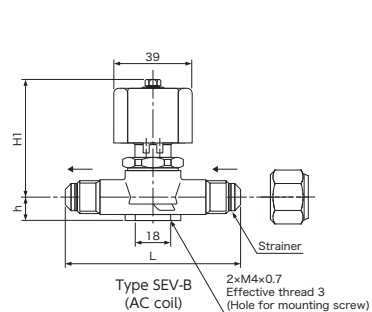
Junction box type

Gland JIS F 8801 15.20(a,b,c)

(Type SEV-502BY)

Drip-proof terminal box type (IP34)

DIMENSIONS



DIMENSIONS

Catalog No.		Unit : mm					
Type	Model	L	H1	H2	H3	h	
SEV	303BY	85	58	79	64	11.5	
	502BY						
	603BY						
	1004BY	105	85	106	91	20.5	
	1205BY	115	88	109	94	22	
	1506BY	135	95	116	101	25	
	303DY	150	270	58	79	64	10.3
	502DY						
	603DY						
	604DY	160	85	106	91	20.5	
	1004DY						
	1005DY	168					
	1205DY	180	88	109	94	22	
	1506DY	190	95	116	101	25	
	1507DY	196					
	502DYFQ50	270	58	79	64	10.3	
603DYFQ50							
603DYFQ300							
604DYFQ300	138						

STANDARD ACCESSORY

- Flare Nut (only for flare connection model)
- Mounting bracket (Optional for some model)

OPTIONAL PARTS

- DIN socket for DIN plug coil
- * Please specify necessity of the parts when ordering

Catalog No.		Unit : mm	
Type	Model	Diagram 1	Diagram 2
SEV	303BY		
	502BY		
	603BY		
	303DY		
	502DY		
	603DY		
	604DY		
	502DYFQ50		
	603DYFQ50		
	603DYFQ300		
604DYFQ300			
1004BY			
1004DY			
1005DY			
1205BY *			
1506BY *			
1205DY *			
1506DY *			
1507DY *			

* Available upon request

