

# SOLENOID VALVES FOR REFRIGERANT

Type RPV

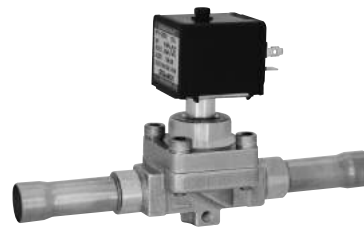
SAGInoMIYA

## GENERAL DESCRIPTION

- New solenoid valves for refrigerant "High-pressure R410A standard"
- Various product line up (Body: 21 types, Coil: DIN plug type, Lead wire type)
- Low power consumption (6W at 50Hz / 4.5W at 60Hz)

## SPECIFICATIONS

- Body test pressure: 6.5MPa (66.2kgf/cm<sup>2</sup>)
- Fluid temperature: -40 to 125°C
- Ambient temperature: -30 to 50°C



Type RPV-D



Type RPV-B

## TYPE NUMBER SELECTION

Unit: MPa {kgf/cm<sup>2</sup>}

Catalog No.	Port Size (mm)	Cv Value	Nominal Capacity (U.S.R.T.) {kW}				Connection		O.P.D.		Max. Working Pressure	Wt. (kg)
			R410A	R134a	R404A	R22	Copper Tube O.D.	Style	Min.	Max.		
RPV-302BYF	3	0.27	1.1 {4.0}	1.1 {4.0}	0.8 {2.8}	1.2 {4.3}	1/4"	Flare	0	3.6 {36.7}	4.3 {43.8}	0.3
RPV-303BYF		0.30	1.3 {4.5}	1.3 {4.4}	0.9 {3.1}	1.4 {4.8}	3/8"					0.3
RPV-602BYF	6	0.60	2.5 {9.0}	2.5 {8.9}	1.8 {6.2}	2.7 {9.5}	1/4"					0.4
RPV-603BYF		0.90	3.8 {13.4}	3.8 {13.3}	2.6 {9.3}	4.0 {14.0}	3/8"					0.4
RPV-803BYF	8	1.2	5.1 {17.9}	5.1 {17.8}	3.5 {12.3}	5.4 {19.0}	3/8"					0.45
RPV-804BYF		1.4	5.9 {20.9}	5.9 {20.7}	4.1 {14.4}	6.3 {22.0}	1/2"					0.45
RPV-1004BYF	10	2.4	10.2 {35.8}	10.1 {35.5}	7.0 {24.7}	10.8 {38.0}	1/2"		0.6			
RPV-1005BYF		2.4	10.2 {35.8}	10.1 {35.5}	7.0 {24.7}	10.8 {38.0}	5/8"		0.6			
RPV-1205BYF	12	3.6	15.3 {53.7}	15.2 {53.3}	10.5 {37.0}	16.2 {57.0}	5/8"		0.7			
RPV-1606BYF	16	5.6	23.8 {83.6}	23.6 {82.9}	16.4 {57.6}	25.3 {89.0}	3/4"		1.1			
RPV-302DYF	3	0.27	1.1 {4.0}	1.1 {4.0}	0.8 {2.8}	1.2 {4.3}	1/4"	Solder	0	3.6 {36.7}	4.3 {43.8}	0.3
RPV-303DYF		0.30	1.3 {4.5}	1.3 {4.4}	0.9 {3.1}	1.4 {4.8}	3/8"					0.3
RPV-602DYF	6	0.60	2.5 {9.0}	2.5 {8.9}	1.8 {6.2}	2.7 {9.5}	1/4"					0.4
RPV-603DYF		0.90	3.8 {13.4}	3.8 {13.3}	2.6 {9.3}	4.0 {14.0}	3/8"					0.4
RPV-803DYF	8	1.2	5.1 {17.9}	5.1 {17.8}	3.5 {12.3}	5.4 {19.0}	3/8"					0.4
RPV-804DYF		1.4	5.9 {20.9}	5.9 {20.7}	4.1 {14.4}	6.3 {22.0}	1/2"					0.4
RPV-1004DYF	10	2.4	10.2 {35.8}	10.1 {35.5}	7.0 {24.7}	10.8 {38.0}	1/2"		0.6			
RPV-1005DYF		2.4	10.2 {35.8}	10.1 {35.5}	7.0 {24.7}	10.8 {38.0}	5/8"		0.6			
RPV-1205DYF	12	3.6	15.3 {53.7}	15.2 {53.3}	10.5 {37.0}	16.2 {57.0}	5/8"		0.7			
RPV-1606DYF	16	5.6	23.8 {83.6}	23.6 {82.9}	16.4 {57.6}	25.3 {89.0}	3/4"		1.1			
RPV-1607DYF		5.6	23.8 {83.6}	23.6 {82.9}	16.4 {57.6}	25.3 {89.0}	7/8"	1.1				

- Enclosure Lead wire direct: IP67 / DIN: IP65 (When DIN socket is used)
- Nominal capacities (R410A) are based on ΔP = 0.015 MPa, condensing temp. = 38°C and evaporating temp. = 5°C
- Weight includes a coil (Without Strainer, Flare nuts, Bracket).

## ELECTRICAL RATING OF SOLENOID COILS

Rated Voltage	Tolerance (%)	Voltampere (VA)		Power Consumption (W)	*1 Insulation Class	*2 Coil Style		
		Running	Inrush			Lead wire	DIN plug	
24V.AC	50/60Hz	± 10	12.5/9.5	45/44	6/4.5	Class B Molded	○	○
100V.AC								
200V.AC *3								
220V.AC *4								
230V.AC *5								
240V.AC *6								

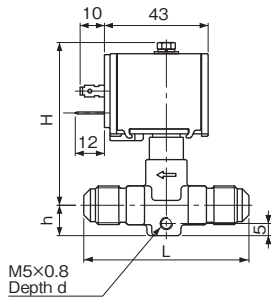
- \*1 EN 175301-803 (DIN 43650) / ISO 4400
- \*2 Enclosure Lead wire direct: IP67 / DIN: IP65 (When DIN socket is used)

For \*3 to \*6, please refer to the following

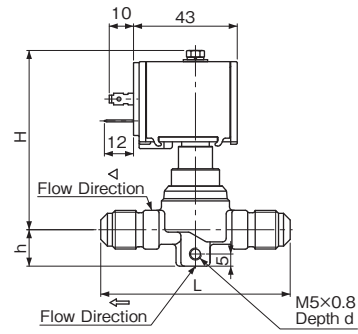
In case of the following voltage and frequency	Voltampere (VA)		Power Consumption (W)
	Running		
*3 200 to 208V. AC (60Hz)	9.5 to 11		4.5 to 5
*4 220 to 230V. AC (60Hz)	10.5 to 12.5		5.2 to 6
*5 230 to 240V. AC (60Hz)	9.5 to 11		4.5 to 5
*6 230 to 240V. AC (50Hz)	10.5 to 12.5		5.2 to 6

## DIMENSIONS

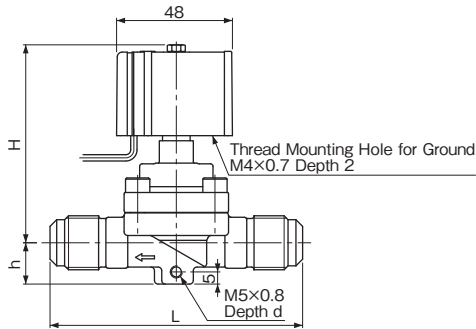
Type RPV-302BYF, 303BYF



Type RPV-602BYF to 804BYF

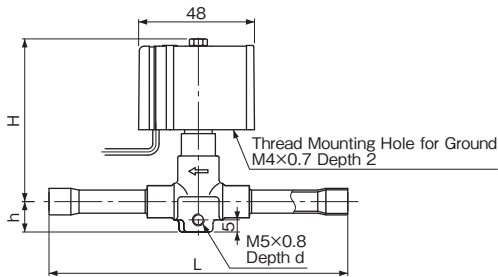


Type RPV-1004BYF to 1606BYF

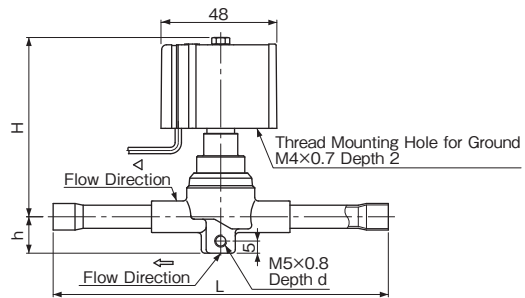


Catalog No.	Unit: mm			
	L	H	h	d
RPV-302BYF	64	67	12.5	12
RPV-303BYF	68	67	12.5	12
RPV-602BYF	71	74	15	12
RPV-603BYF	78	74	15	12
RPV-803BYF	84	75.5	15	14
RPV-804BYF	90	75.5	15	14
RPV-1004BYF	96	77	15.5	17
RPV-1005BYF	101	77	15.5	17
RPV-1205BYF	104	82	17	20
RPV-1606BYF	124	89	19	24

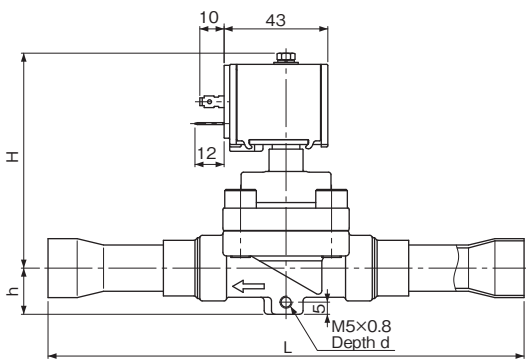
Type RPV-302DYF, 303DYF



Type RPV-602DYF to 804DYF



Type RPV-1004DYF to 1607DYF



Catalog No.	Unit: mm			
	L	H	h	d
RPV-302DYF	123	67	12.5	12
RPV-303DYF	123	67	12.5	12
RPV-602DYF	140	74	15	12
RPV-603DYF	138	74	15	12
RPV-803DYF	141	75.5	15	14
RPV-804DYF	139	75.5	15	14
RPV-1004DYF	158	77	15.5	17
RPV-1005DYF	168	77	15.5	17
RPV-1205DYF	171	82	17	20
RPV-1606DYF	196	89	19	24
RPV-1607DYF	196	89	19	24

Unit: mm

## OPTIONAL PARTS

DIN socket for DIN plug coil  
Flare Nut

