

3-WAY SOLENOID VALVES

Type IEV

SAGInoMIYA

GENERAL DESCRIPTION

- For non-corrosive refrigerant (gas) in refrigeration units or air.
- Pilot operated, 3-way Distributing valve and Selector valve.



Type IEV-B



Type IEV-C

TYPE NUMBER SELECTION (SPECIFICATIONS)

Catalog No.	Port Size (mm)	Cv Value	* Nominal Capacity (Refrigerants in Liquid) (U.S.R.T.)		Connection		O.P.D.		Max. Working Press.	Body Test Press.	Fluid Temp. (°C)	Ambient Temp. (°C)	Operation	Wt. (kg)					
			R134a	R22	Copper pipe (O.D.)	Style	Min.	Max.											
IEV-B1505DXF	18	6.3	16	20	5/8"	Solder	0.49	2.25	2.94	4.41	-20 to 120	-20 to 50	branched	0.95					
IEV-B2007DXF	20	9.0	23	29	7/8"		{5.0}	{22.9}						{30}	{45}	1.0			
IEV-B3211DXF	30	25	65	79	1-1/8"		0.29	2.06						{3.0}	{21}	-20 to 125	-20 to 50	switched	2.6
IEV-B3212DXF					1-1/4"														
IEV-B3213DXF					1-3/8"														
IEV-C3211DXF					1-1/8"														
IEV-C3212DXF					1-1/4"														
IEV-C3213DXF	1-3/8"																		

* Nominal capacities are based on $\Delta P = 0.015$ MPa, condensing temp. = 38°C and evaporating temp. = 5°C.

• O.P.D.: Operating Pressure Differential (by air pressure)

• Weight includes a coil

ELECTRICAL RATING OF SOLENOID COILS

Port Size (mm)	Rated Voltage		Tolerance (%)	Voltampere (VA)		Power Consumption (W)	Insulation Class
				Running	Inrush		
18, 20	100V.AC, 110V.AC		± 10	11/9	33/27	6/5	* Class B Molded
30	200V.AC, 220V.AC			16/13	40/33	8/7	

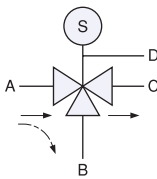
Current (A) = Voltampere / Rated Voltage

* IEC compliance

OPERATION

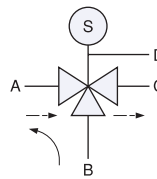
Type IEV-B

Energized: A→C
non Energized: A→B



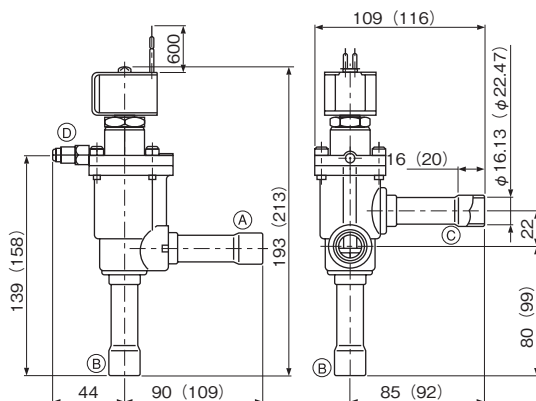
Type IEV-C

Energized: B→A
non Energized: A→C

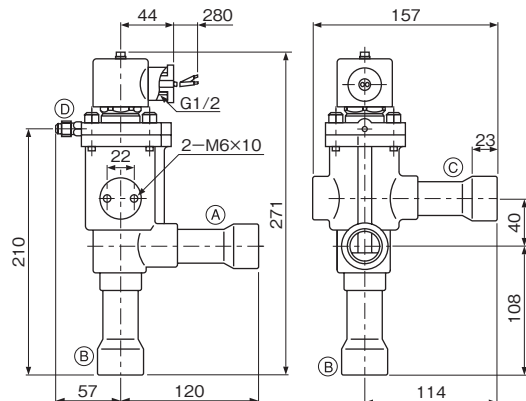


DIMENSIONS

Type IEV-B1505DXF (B2007DXF)



Type IEV-B3211DXF to B3213DXF, C3211DXF to C3213DXF



Unit: mm