

# TEMPERATURE CONTROLS

Type ALS & BLS

SAGINOMIYA

## GENERAL DESCRIPTION

- Wide temp. range and narrow fixed differential. One control can meet most of your refrigeration or heating applications.
- Easy and accurate setting with large external knob.
- Tin Plating of bulb and capillary for food.
- SUS of main body for anti-corrosion and high durability, ABS resin of cover for anti-static.
- With SPDT contact mechanism.
- Insert holder is available upon request.
- Can mount horizontal and vertical position.



Type ALS



Type BLS

## TYPE NUMBER SELECTION (SPECIFICATIONS)

Unit: °C

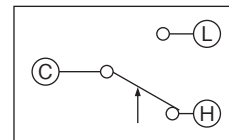
| Catalog No. | Range |      | Differential        | Limit of Bulb Temp. | Bulb Size (mm) | Capillary Tube Length (mm) | Wt. (kg) |
|-------------|-------|------|---------------------|---------------------|----------------|----------------------------|----------|
|             | Min.  | Max. |                     |                     |                |                            |          |
| BLS-C1020L1 | -20   | 20   | Approx. 2.0 (Fixed) | 60                  | φ10×100        | φ2.4×1000                  | 0.3      |
| ALS-C1011L1 | -60   | -10  |                     |                     |                |                            |          |
| ALS-C1020L1 | -40   | 20   | Approx. 2.5 (Fixed) | 80                  |                |                            |          |
| ALS-C1050L1 | -10   | 50   |                     | 110                 |                |                            |          |
| ALS-C1090L1 | 40    | 90   |                     | 150                 |                |                            |          |

• When order model with earth terminal, add a suffix "x" to Catalog No.

## ELECTRICAL RATINGS

| Rated Voltage (V)     |                | Power Factor (cos φ) | 125V.AC           | 250V.AC | 450V.AC | 24V.DC | 125V.DC |
|-----------------------|----------------|----------------------|-------------------|---------|---------|--------|---------|
|                       |                |                      | Rated Current (A) |         |         |        |         |
| Non-Inductive Current |                | 1                    | 10                | 5       | 2       | 5      | 0.5     |
| Inductive Current     | Full Load      | 0.75                 | 8.5               | 4.5     | 1       | 3      | 0.2     |
|                       | Inrush Current | —                    | 50                | 37      | 10      | 10     | 5       |

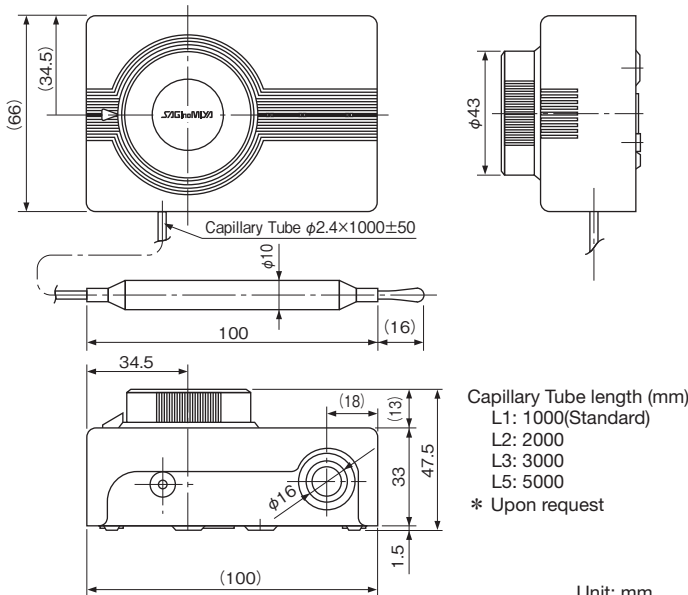
## CONTACT FUNCTIONS



Arrow Mark indicates direction of operation on temperature increase.

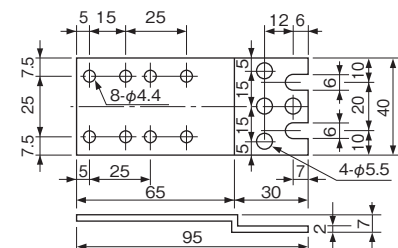
|   |                               |
|---|-------------------------------|
| C | Common Terminal               |
| L | Close on Temperature Increase |
| H | Close on Temperature Decrease |

## DIMENSIONS



## ACCESSORY

Mounting Bracket



Part No. ALS-AE02