

ROOM THERMOSTATS

Type **ARS**

SAGInoMIYA

GENERAL DESCRIPTION

- High quality room thermostat for heating or cooling.
- Used for low or line voltage.
- Easy to adjust with dial knob.
- Dial stopper screw prevents unauthorized change of setting.



SPECIFICATIONS

- Ambient temperature: -20 to 50°C (Double-digit type)
-10 to 50°C (Proportional type)

TYPE NUMBER SELECTION

Double-digit type

Catalog No.				Range		Differential	Step Differential	Factory Setting		Wt. (kg)
Type	Contact Type	Temp.	Special Application	Min.	Max.			Off (On)	On (Off)	
ARS-	C1	20	— (Standard Type)	0	20	Approx. 1.5	—	(8.5)	10	0.17
		30		10	30			(18.5)	20	
		40		20	40			(23.5)	25	
		20	S	0	20			(8.5)	10	
		30		10	30			(18.5)	20	
		40		20	40			(23.5)	25	
		S6	30	— (Standard Type)	10		30	Approx. 2	Heat Side (18.5) Low Side (16.5)	

Proportional type

Catalog No.				Range		Differential	Factory Setting	Wt. (kg)
Type	Contact Type	Temp.	Special Application	Min.	Max.			
ARS-	P1	30	— (Standard Type)	10	30	Approx. 2	25 Center value of Proportional band	0.17
			S					

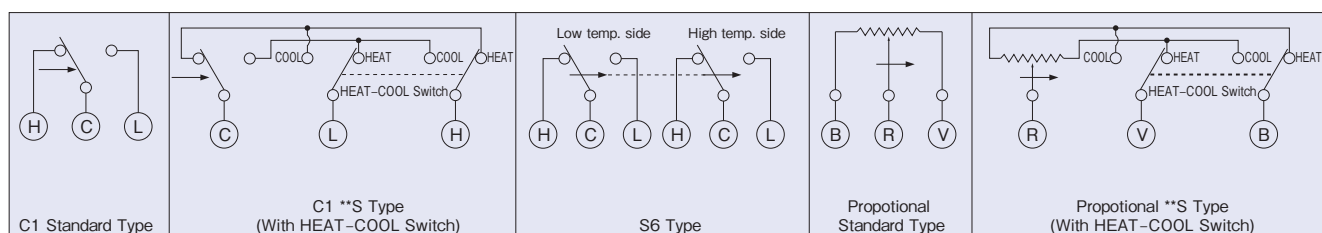
ELECTRICAL RATINGS

Catalog No.		Power Factor (cos φ)	ARS-C1			ARS-S6	
Rated Voltage (V)	Rated Current (A)		AC		DC	AC	
			125	250	24	125	250
Non-Inductive Current		1.0	6	3	2	4	2
Inductive Current	Full Load	0.75	6	3	1	4	2
	Inrush Current	—	24	12	10	16	8

Minimum contact capacity: 50mA

Catalog No.		ARS-P1
Rated Voltage (V)	Rated Current (A)	AC
		24
Allowable current value		50mA
Resistance of the potentiometer		135Ω

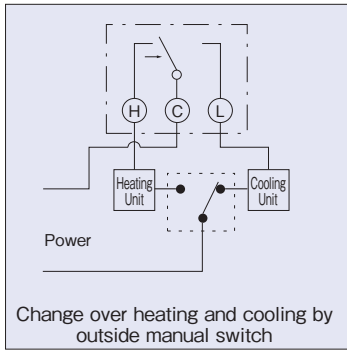
CONTACT FUNCTIONS



Arrow indicates temp. rise.

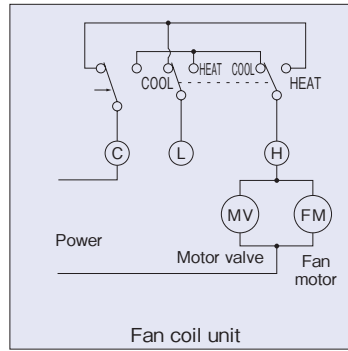
APPLICATION SAMPLES

-C1

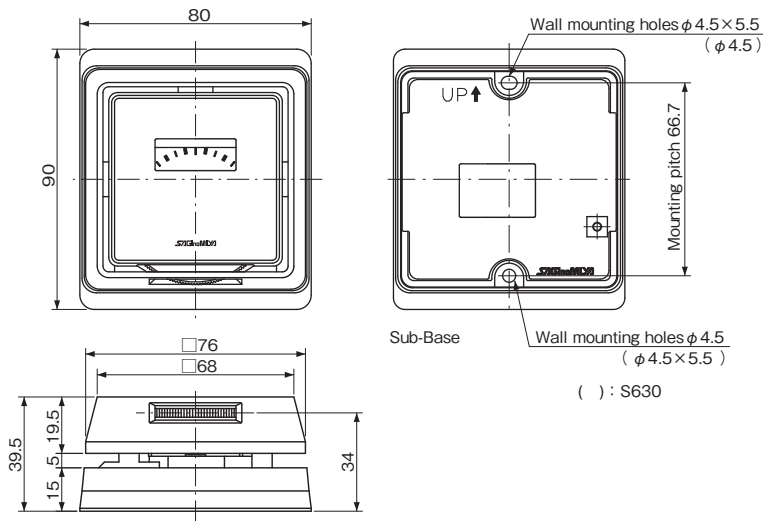


Arrow indicates temp. rise.

-C1**S



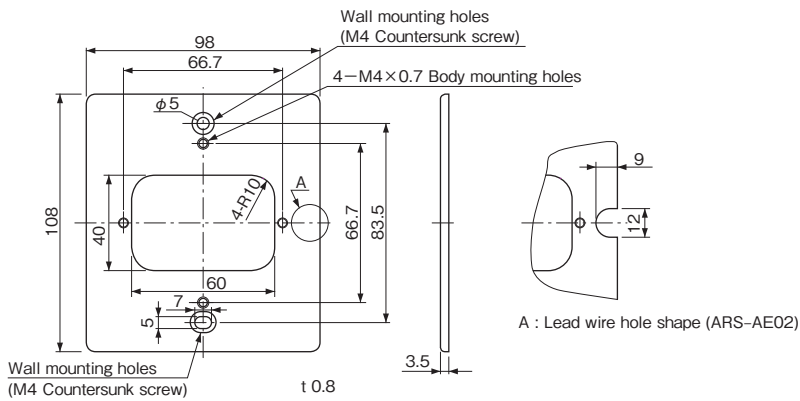
DIMENSIONS



Unit: mm

OPTIONAL PARTS

Mounting pitch 83.5mm plate (ARS-AE01, ARS-AE02)



Unit: mm

Parts No.	Lead wire hole
ARS-AE01	Not Exist
ARS-AE02	Exist