

ROOM THERMOSTATS

Type WRS

SAGInoMIYA

GENERAL DESCRIPTION

- For fan coil units and air conditioners.
- Used for low or line voltage.
- Various models available with Fan Selector switch and/or Heat-Off-Cool change over switching.
- Using a diaphragm element, it assures high reliability and accurate control.
- Ambient temperature: - 20 to 50°C



TYPE NUMBER SELECTION (SPECIFICATIONS)

Unit: °C

Catalog No.			Sub-Base Function		Range		Differential	Wt. (kg)
Type	Contact & Temp. Range	Special Application	Change over Switch	Fan Switch	Min.	Max.		
WRS-	C130	X1	ON-OFF, HEAT-COOL	HIGH-MED-LOW	10	30	Approx. 1.5 (Fixed)	0.25
		X2	ON-OFF					
		X7	ON-OFF, HEAT-COOL					

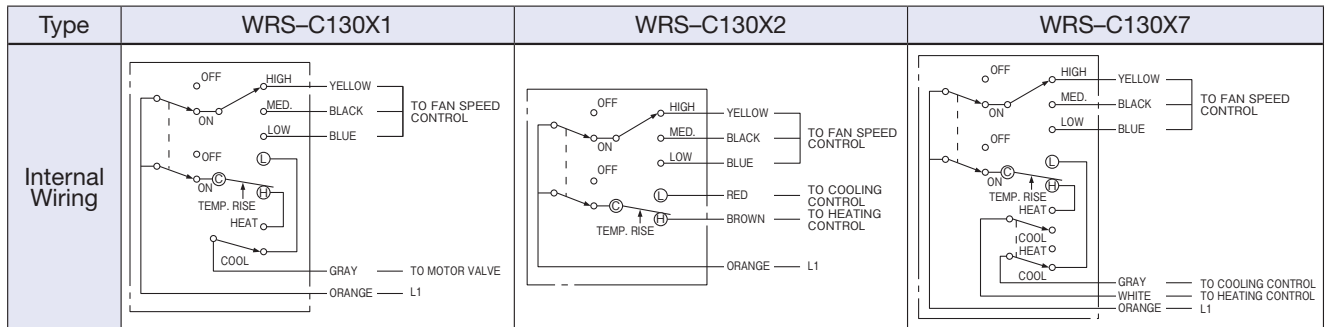
- Change over switch of HEAT-COOL on WRS-C130X1 is only for changing switch mechanism of room thermostat itself between HIGHCUT (HEATING) and LOWCUT (COOLING) according to system requirement.
- Please refer to the application sample and wiring diagram.

ELECTRICAL RATINGS

Rated Voltage (V)		Power Factor (cos φ)	125V. AC	250V. AC
Rated Current (A)				
Non-Inductive Current		1	6	3
Inductive Current	Full Load	0.75		
	Inrush Current		-	24

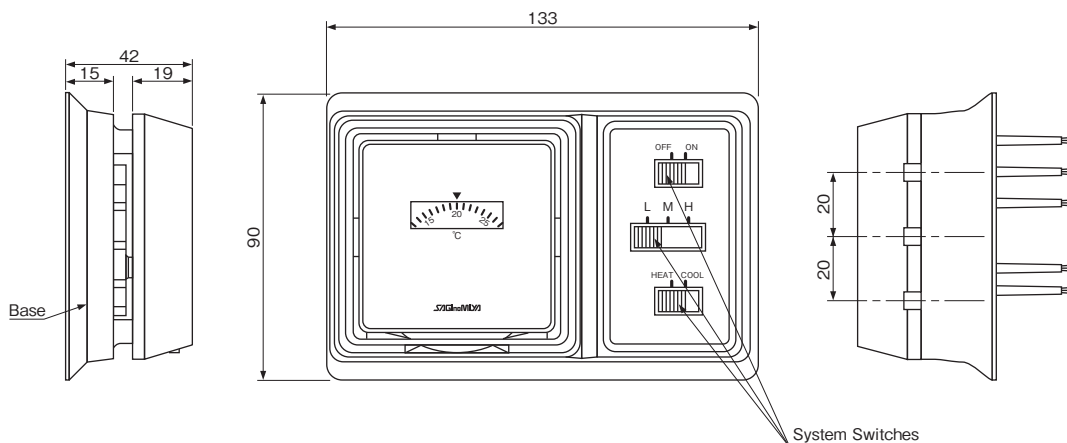
Minimum contact capacity: 50mA

CONTACT FUNCTIONS



Arrow indicates temp. rise.

DIMENSIONS



Unit: mm