



Digital Thermostat

Type ALE

SAGINOMIYA releases new digital thermostat type ALE.

Features

- LCD with high brightness backlight
- Available 0.1°C pitch display (select 0.1°C / 0.5°C / 1°C)
- Free power supply (85 to 264V.AC)
- Forced ON/OFF
- 1 Step + Programmable model :
 - Max. 4 ON/OFF points during 24 hours model available.
 - MODBUS communication

Applications

- Prefabricated refrigerator / Freezer
- Cold storage
- Kitchen equipment
- Commercial gardening installations
- Food processing equipment
- Laboratory
- Industries application, etc.

Specifications

Power supply voltage	: 85 to 264V.AC
Power consumption	: 5VA or less
Contact function	: SPST
Contact capacity	: 250V.AC 10A (cos φ=1) : 250V.AC 6A (cos φ=0.7) : 250V.AC 3A (cos φ=0.4)

Ambient temperature	: -10 to 50°C
Ambient humidity	: 90%RH or less
Back up data	: Preset values, Calibration values
Setting method	: Independent ON/OFF set point, Set by UP/DOWN keypads



Standard (1 Step)

2 Step



1 Step +
Hi/Lo Limit with time delay

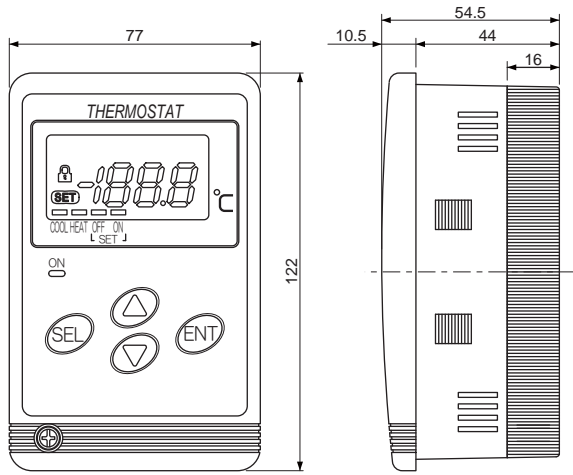
1 Step +
Programmable

Standard Type Number Selection

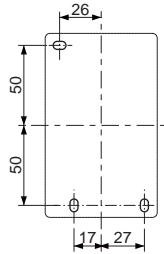
Catalog No.	Temp. Set Range (°C)	Differential (°C)	Temp. Indication (°C)	Function	Sensor Part No. (Standard)	Wt. (kg)
ALE-SD11-011	-50 to 30	Min. 0.5	-55 to 40	Standard(1 Step)	TEK-83H609 (with 2m lead)	0.2
ALE-SD12-011				2 Step		
ALE-SD13-011				Hi/Lo Limit with time delay		
ALE-SD14-011				Programmable		
ALE-SD21-011	0 to 100	Min. 0.5	0 to 110	Standard(1 Step)	TEK-83H601 (with 2m lead)	0.2
ALE-SD22-011				2 Step		
ALE-SD23-011				Hi/Lo Limit with time delay		
ALE-SD24-011				Programmable		

Temperature sensor and sensor holder are supplied as standard accessory.

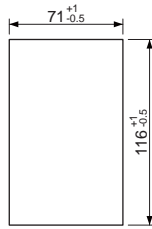
Dimensions



Wall Mount
Installation Dimension

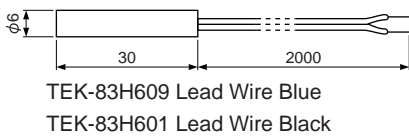


Panel Cut Dimension

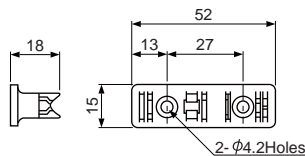


Standard Accessory

Standard Sensor

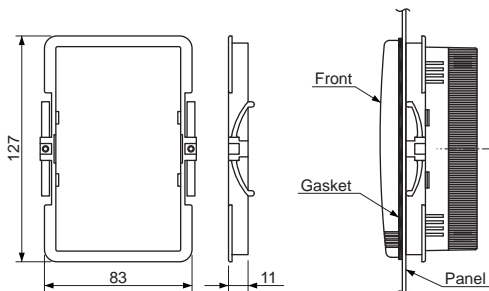


Sensor Holder



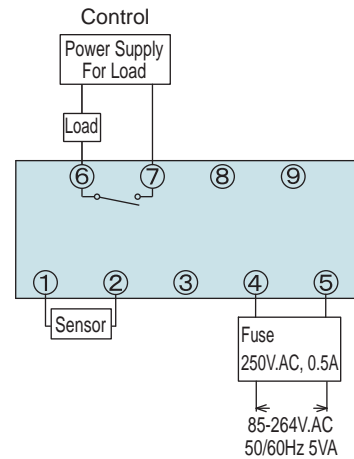
Option Parts (ALE-AA02)

Panel Mount Bracket
including Gasket

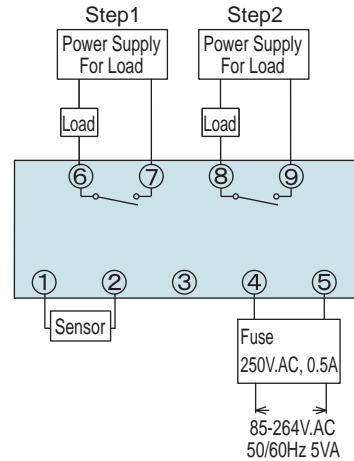


Wiring Diagram

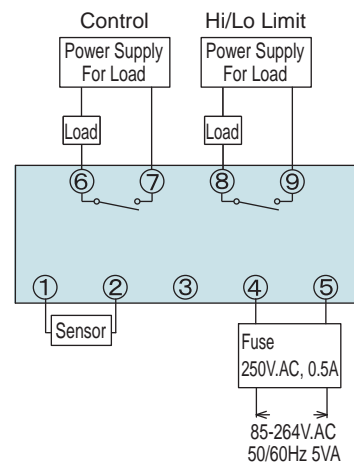
Standard (1 Step)
1 Step + Programmable



2 Step



1 Step +
Hi/Lo Limit with time delay



NOTES FOR SAFETY

Failure to read and follow all instruction carefully before installing or operating the product could cause personal injury and/or property damage.

Specifications are subject to change without notice.