



# Digital Humidistat

Type BLE

SAGINOMIYA releases new digital humidistat type BLE.

## Features

- LCD with high brightness backlight
- Free power supply (85 to 264V.AC)
- Forced ON/OFF
- 2 Step model

## Applications

- Various air conditioning equipment
  - Office, Computer room, Laboratory, Library, etc.
- Agricultural facility
  - Cultivation house, Grain warehouse Tea and tobacco, etc.
- Manufacturing facility
  - Chemical, Paper, Textile, Confectionery, etc.



2 Step



Standard (1 Step)

## Specifications

|                      |   |
|----------------------|---|
| Power supply voltage | : 85 to 264V.AC   |
| Power consumption    | : 5VA or less   |
| Contact function     | : SPST  |
| Contact capacity     | : 250V.AC 10A (cos φ=1)<br>: 250V.AC 6A (cos φ=0.7)<br>: 250V.AC 3A (cos φ=0.4) |

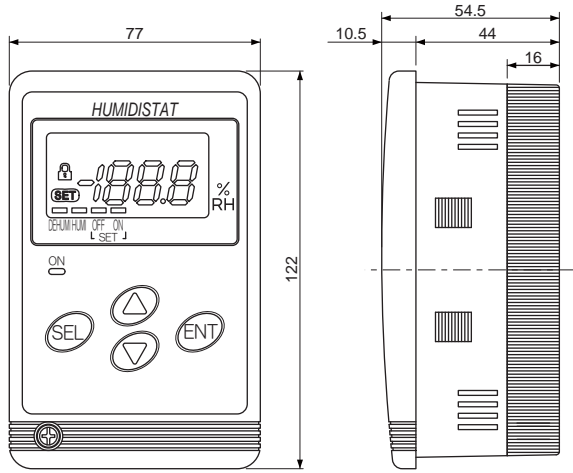
|                     |   |
|---------------------|---|
| Ambient temperature | : -10 to 50°C (controller)<br>: 0 to 50°C (sensor)        |
| Ambient humidity    | : 30 to 90%RH   |
| Back up data        | : Preset values, Calibration values                       |
| Setting method      | : Independent ON/OFF set point,<br>Set by UP/DOWN keypads |

## Standard Type Number Selection

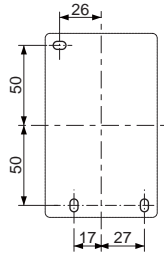
| Catalog No.  | Humidity Set Range (%RH) | Differential (%RH) | Humidity Indication (%RH) | Calibration (%RH) | Function         | Sensor Part No. | Wt. (kg) |
|--------------|--------------------------|--------------------|---------------------------|-------------------|------------------|-----------------|----------|
| BLE-SD11-011 | 30 to 90                 | Min. 3             | 20 to 99                  | ±10               | Standard(1 Step) | HEK-11R001      | 0.2      |
| BLE-SD12-011 |                          |                    |                           |                   | 2 Step           |                 |          |

Humidity sensor and sensor mount bracket are supplied as standard accessory.

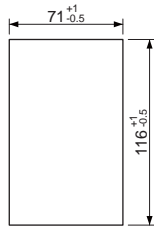
## Dimensions



Wall Mount  
Installation Dimension

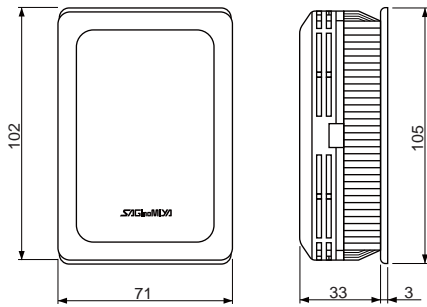


Panel Cut Dimension

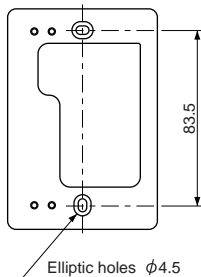


## Standard Accessory

Sensor(HEK-I1R001)

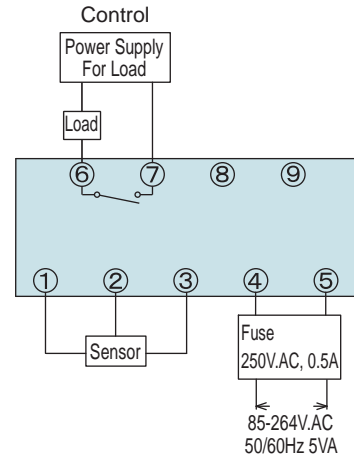


Sensor Mount Bracket

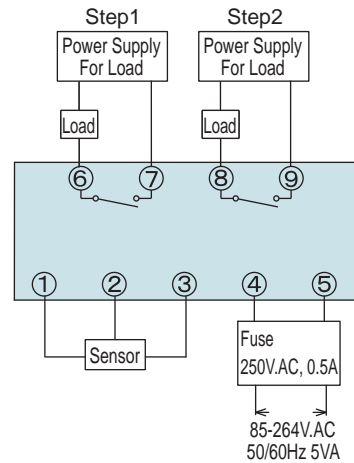


## Wiring Diagram

Standard (1 Step)

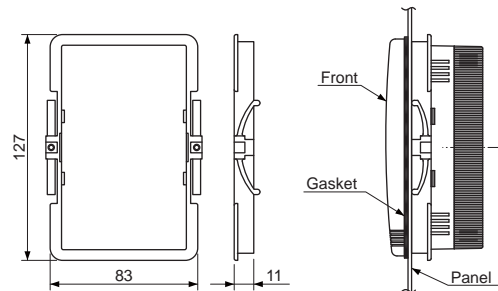


2 Step



## Option Parts (ALE-AA02)

Panel Mount Bracket  
including Gasket



### NOTES FOR SAFETY

Failure to read and follow all instruction carefully before installing or operating the product could cause personal injury and/or property damage.

Specifications are subject to change without notice.