

# PRESSURE ACTUATED WATER REGULATING VALVES

## Type VWR

SAGInoMIYA

### GENERAL DESCRIPTION

- Type VWR: 2-way press. actuated water regulating valves, open on pressure increase.
- Refrigerant: R410A, R407C, R404A
- Type VWR is applicable to the adjustment range which exceeds the applicable adjustment range of type AWR (Refer to next page).
- Pressure connection: 1/4" flare nut (Standard)
- Body material: Bronze for water and glycol.



### TYPE NUMBER SELECTION (SPECIFICATIONS)

#### PRESSURE ACTUATED VALVES 2-WAY

Unit: MPa {kgf/cm<sup>2</sup>}

Catalog No.	Kind of Refrigerant	Valve Body Material	Connection		Press. Range	Max. Working Press.	Max. Water Temp.(°C)	Max. Water Press.	* Factory Setting	Wt. (kg)	
			Size	Style							
VWR-	1203G	Fluorinated Refrigerants	Bronze	3/8"	Rc	1.5 to 2.9 {15.3 to 29.6}	4.2 {42.8}	60	1 {10.2}	2.4 {24.5}	0.68
	1504G			1/2"							0.9
	2006G			3/4"							1.0

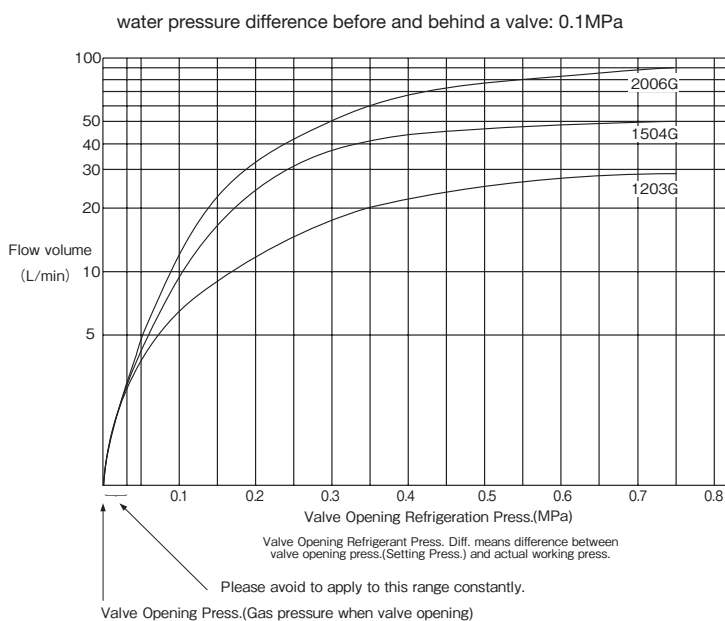
\* Pressure at which valve starts opening.

• Adjust type VWR to a set value which is suitable for the refrigerant employed.

### FLOW CAPACITY

Flow Capacity shows respectively refrigeration press. diff. at horizontal axis and flow rate of cooling water at vertical axis considering water press. diff. before and behind a valve with 0.1 MPa. (press. diff. between inlet and outlet of valve)

In case of water press. diff. before and behind a valve is excepting for 0.1MPa, value is calculated multiplying by coefficient in compensation table.



### ADJUSTMENT

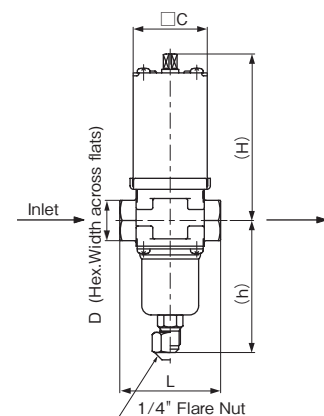
One full turn of adjusting screw changes pressure setting as shown below.

Catalog No.	Change in Press. Setting	
VWR-	1203G	Approx. 0.2MPa
	1504G	
	2006G	

### COMPENSATION COEFFICIENTS

Press. Drop Across Valve: MPa {kgf/cm <sup>2</sup> }	Coefficient
0.2 {2}	1.4
0.1 {1}	1
0.03 {0.3}	0.55
0.05 {0.5}	0.7
0.07 {0.7}	0.8

### DIMENSIONS



Catalog No.	Unit: mm					
	D	L	H	h	□ C	
VWR-	1203G	22	55	91	72	40
	1504G	27	70	100	83	42
	2006G	32	80	104	87	