

Linear motor type Absorber Test System

DYNAMIC SERVO
SAGInoMIYA

New
Release

ASH SERIES



● *High reproducibility*

High reproducibility by high response linear motor

● *High Performance*

Accurate performance evaluation over a wide range

● *High Efficiency*

High efficiency operation without warm-up operation



SAGInoMIYA

Linear motor type Absorber Test System

Equipped with a newly developed linear motor type actuator. Therefore dramatically improved noise and performance evaluation area of the absorber.

Introduction

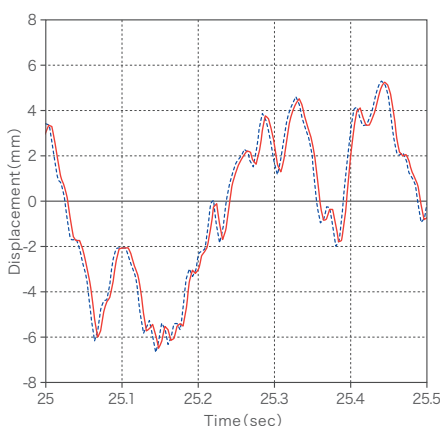
Along with the electrification of automobiles and changes of the development environment, the evaluation of absorbers is ever-changing. To meet this demand, Saginomiya has released a linear motor type absorber tester. It is equipped with a highly responsive linear motor actuator, a high-resolution sensor, a high-rigidity frame, and a 24-bit digital servo controller. Therefore dramatically reduces the waveform distortion rate in the micro-speed and micro-amplitude range, which used to be a weak subject of hydraulic servos. The data measurement area has been expanded and the accuracy of the data has been dramatically improved. In addition to a thermostatic chamber for temperature evaluation and a soundproof chamber for noise evaluation, a lateral force load device and many other options for safety and workability improvement are available. We strongly support our customers' needs.

Specifications

Type	ASH-
Max. force	±19kN (sine wave force ±9kN)
Max. stroke	±100mm
Max. velocity	2m/s
Sine acceleration	130m/s ² (instantaneous maximum 200m/s ²)
Frequency range	0.1 to 50Hz

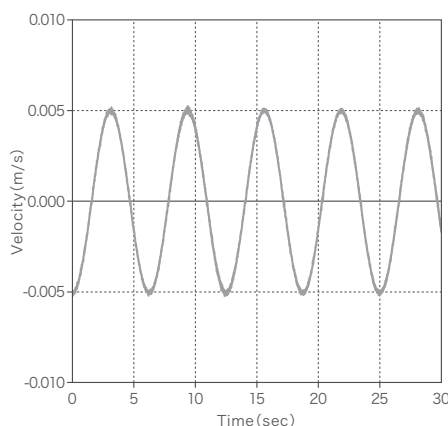
Load waveform

Actual working wave excitation waveform

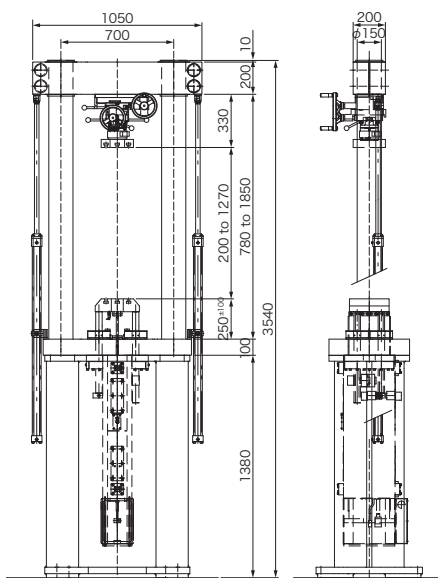


--- Target wave
— Load mass 50kg Response displacement

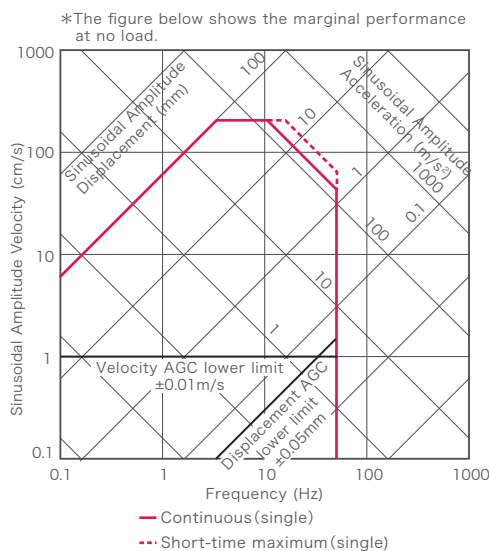
Velocity waveform at 0.005m/s



Dimensions



Performance Curve



SAGINOMIYA
SEISAKUSHO, INC.

<http://www.saginomiya-global.com/en/>

Testing Equipment Tel : +81 3 6205 9126 Fax : +81 3 6205 9127
Sales Department Shinjuku Garden Tower 22F
8-2, Okubo 3-chome, Shinjuku-ku, Tokyo, 169-0072 Japan
E-mail dynamic-servo@saginomiya.co.jp

Osaka Sales Office Tel : +81 6 6385 8011 Fax : +81 6 6384 0859
10-28, Hiroshibacho, Suita-shi, Osaka, 564-0052 Japan

Nagoya Sales Office Tel : +81 52 224 7120 Fax : +81 52 224 7121
1-13, Simizu 4-chome, Kita-ku, Nagoya-shi, Aichi, 462-0844 Japan



NOTES FOR SAFETY

Failure to read and follow all instruction carefully before installing or operating the product could cause personal injury and/or property damage.

Specifications are subject to change without notice.