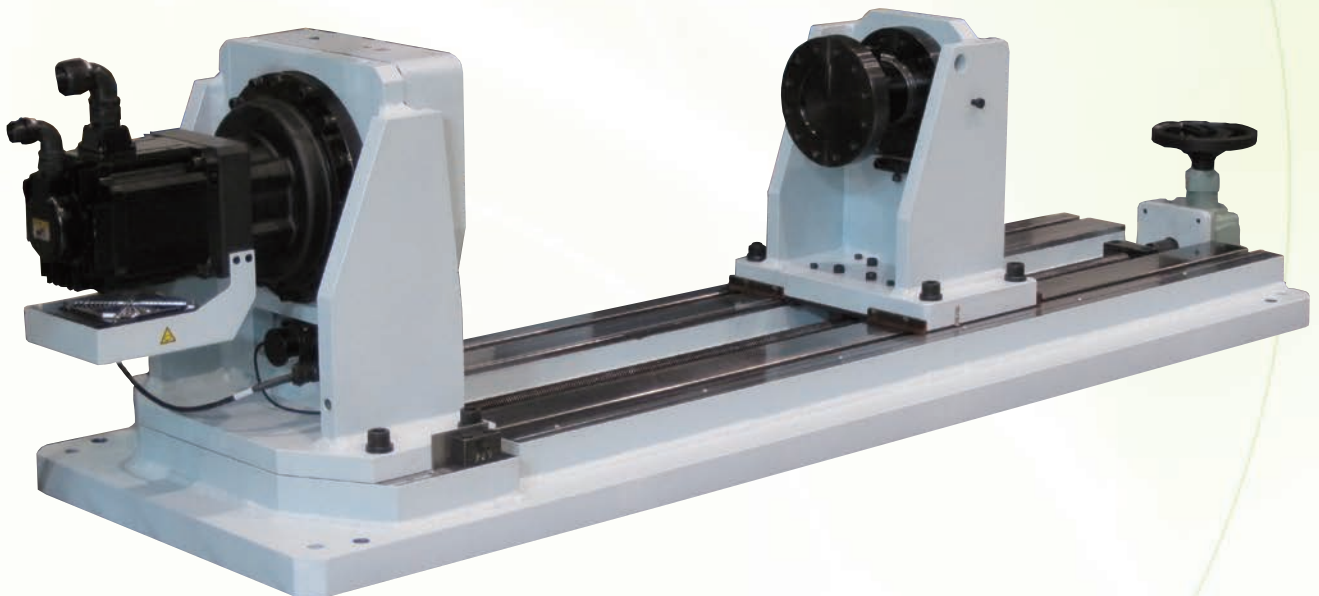


# Electric Servo Torsional Test System

## RFH SERIES (213 Type) Slide-Based Torsional Test System

- *Clean* —  
Environmentally friendly, using no oil
- *Functional* —  
Greater space efficiency
- *Ecological* —  
Low power for energy saving



# Electric Servo Torsional Test System

An electric rotary actuator is used for repeated torsional fatigue testing.

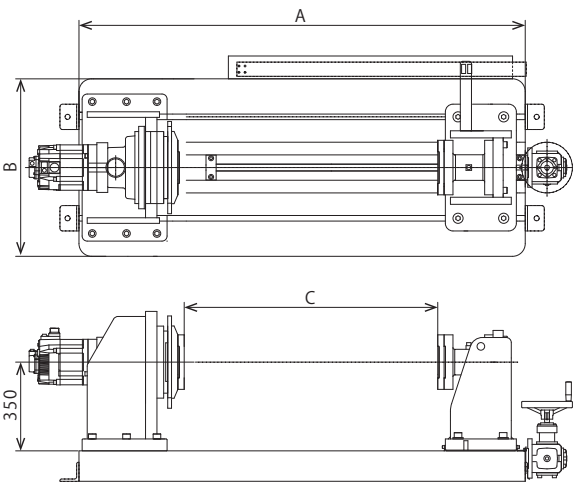
## Specifications

Model		213-	010	030	050	100
Sine wave torque	kN·m		±1	±3	±5	±10
Rotation angle	°		±180			
Maximum angle speed	°/s		650	420	210	130
Frequency	Hz		DC 0.01 to 30			
Movement fastening method			Manual			
Weight	kg		1200	1550	1600	2000
Power supply	ACV, Hz		200 3 Phase, 50/60			
	kVA		11		25	
Distance between flanges	C	mm	0 to 1000			
Dimensions	A, B	mm	1800, 600	1800, 700	1900, 850	

\* In addition to the above, high speed, high acceleration, high load types are also available. Please contact our sales representative for detailed specifications.

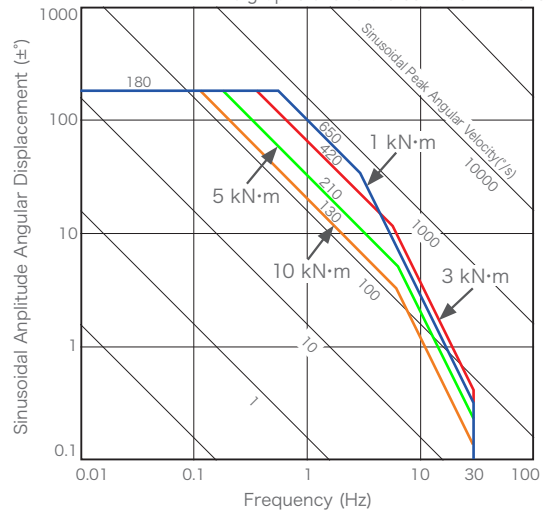
## Dimensions

\* Refer to the dimensions and specifications above.



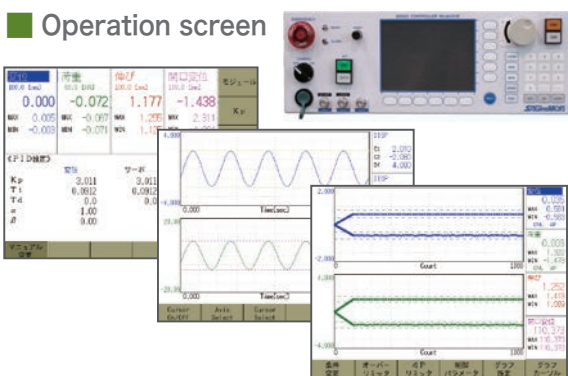
## Performance Curve

\* This graph shows the condition at no load.



## Controller M2430

### Operation screen



### Controller Specifications

Control Mode	Displacement, load, external signal input (2ch)
Waveform	sine wave, triangular wave, square wave, ramp wave, sweep wave
Schedule Function	Up to 100 steps, up to $2 \times 10^9$ repeats (random scheduling standard wave, ramp wave and sweep wave)
Control Range	auto range
Limiter Function	Over limiter, 4-point limiter
Monitor Output	±10V (range settable), 3ch (channel settable), BNC output
Dimensions/ Weight	W420xD380xH149mm/ 13kg
Power Supply	AC100V 500VA

※ Option: Data analysis software, Chamber.

# SAGINOMIYA

## SEISAKUSHO, INC.

<https://www.saginomiya.co.jp/en/>

Testing Equipment Tel : +81 3 6205 9126 Fax : +81 3 6205 9127  
 Sales Department Shinjuku Garden Tower 22F  
 8-2, Okubo 3-chome, Shinjuku-ku, Tokyo, 169-0072 Japan  
**E-mail dynamic-servo@saginomiya.co.jp**

Osaka Sales Office Tel : +81 6 6385 8011 Fax : +81 6 6384 0859  
 10-28, Hiroshibacho, Suita-shi, Osaka, 564-0052 Japan

Nagoya Sales Office Tel : +81 52 224 7120 Fax : +81 52 224 7121  
 1-13, Simizu 4-chome, Kita-ku, Nagoya-shi, Aichi, 462-0844 Japan



### NOTES FOR SAFETY

Failure to read and follow all instruction carefully before installing or operating the product could cause personal injury and/or property damage.

Specifications are subject to change without notice.