

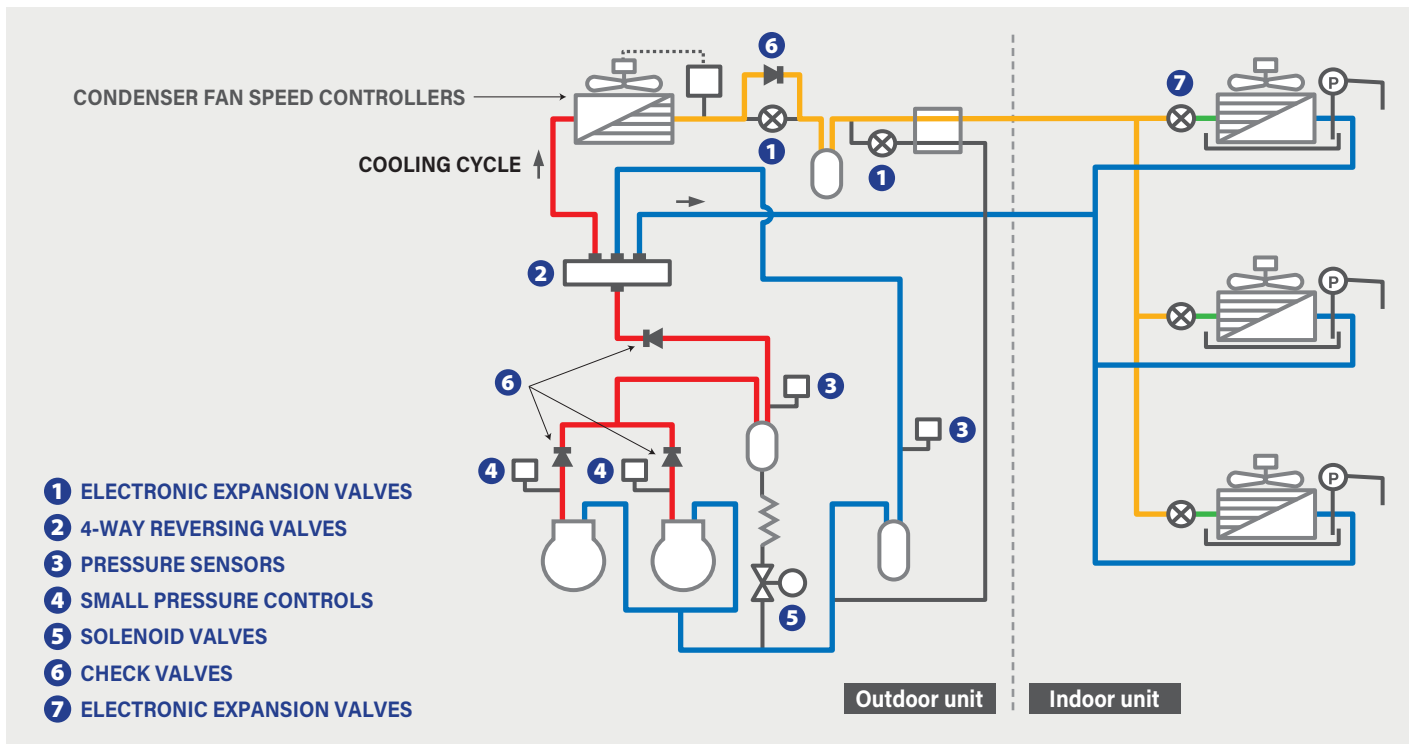
AUTOMATIC CONTROLS

Product Digest Catalog

SAGInoMIYA

AIR CONDITONING FIELD

Commercial Air Conditioning



R32, R454B

1 ELECTRONIC EXPANSION VALVES

Type UKV-S

[Supply Voltage] 12V, 24V.DC
 [Max. Working Press.] 609psi
 [Capacity] 0.5 to 39.5USRT (R410A)*
 [Fluid Temp.] -22 to 158°F
 [Actuator] Stepper Motor

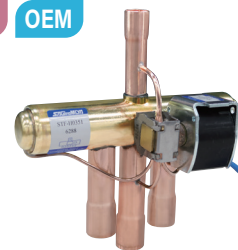


R32, R454B

2 4-WAY REVERSING VALVES

Type STF

[Capacity] 0.51 to 102USRT (R410A)*
 [O.P.D] 44 to 450psi
 [Fluid Temp.] -4 to 248°F
 -4 to 266°F
 (STF-2011G to 6001G)



R32, R454B

3 PRESSURE SENSORS

Type NSK

[Press. Range] 0 to 725psi, etc.
 [Output] 0.5 to 4.5V.DC
 [Supply Voltage] 5V.DC
 [Connections] 1/4" Flare, Solder, R1/8"



R32, R454B

4 SMALL PRESSURE CONTROLS

Type ACB

[Range] 15 to 653psi (setting)
 High Press. : 101 to 653psi
 Low Press. : 15 to 101psi
 [Contact Functions] SPST, SPDT
 [Contant Capacity] 250V.AC 1 to 4A
 [Connections] 1/4" Flare, Solder
 High durability types (500K times) are also available



R32, R454B

5 SOLENOID VALVES

Type VPV/TEV-S

[Max. Working Press.] 623psi
 [Fluid Temp.] -22 to 248°F
 [Connections] 1/4" to 1/2" Solder
 [Cv Value] VPV : 0.04 to 3.0
 TEV-S : 0.037 to 0.1



R32, R454B

6 CHECK VALVES

Type UCV

[Max. Working Press.] 609psi
 [Fluid Temp.] -22 to 248°F
 [Connections] 1/2" to 7/8" Solder
 [Cv Value] 1/2" : 4.5 5/8" : 4.5,7
 3/4" : 9 7/8" : 9



*Please contact us for other refrigerants.

AIR CONDITIONING FIELD

R32, R454B

7 ELECTRONIC EXPANSION VALVES

Type LKV

[Supply Voltage] 12V DC
 [Max. Working Press.] 609psi
 [Capacity] 2.2 to 11.1USRT (R410A)*
 [Fluid Temp.] -22 to 154°F
 [Actuator] Stepper Motor

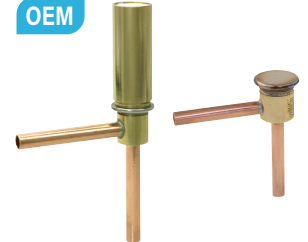


PRESSURE REGULATING VALVES

OEM

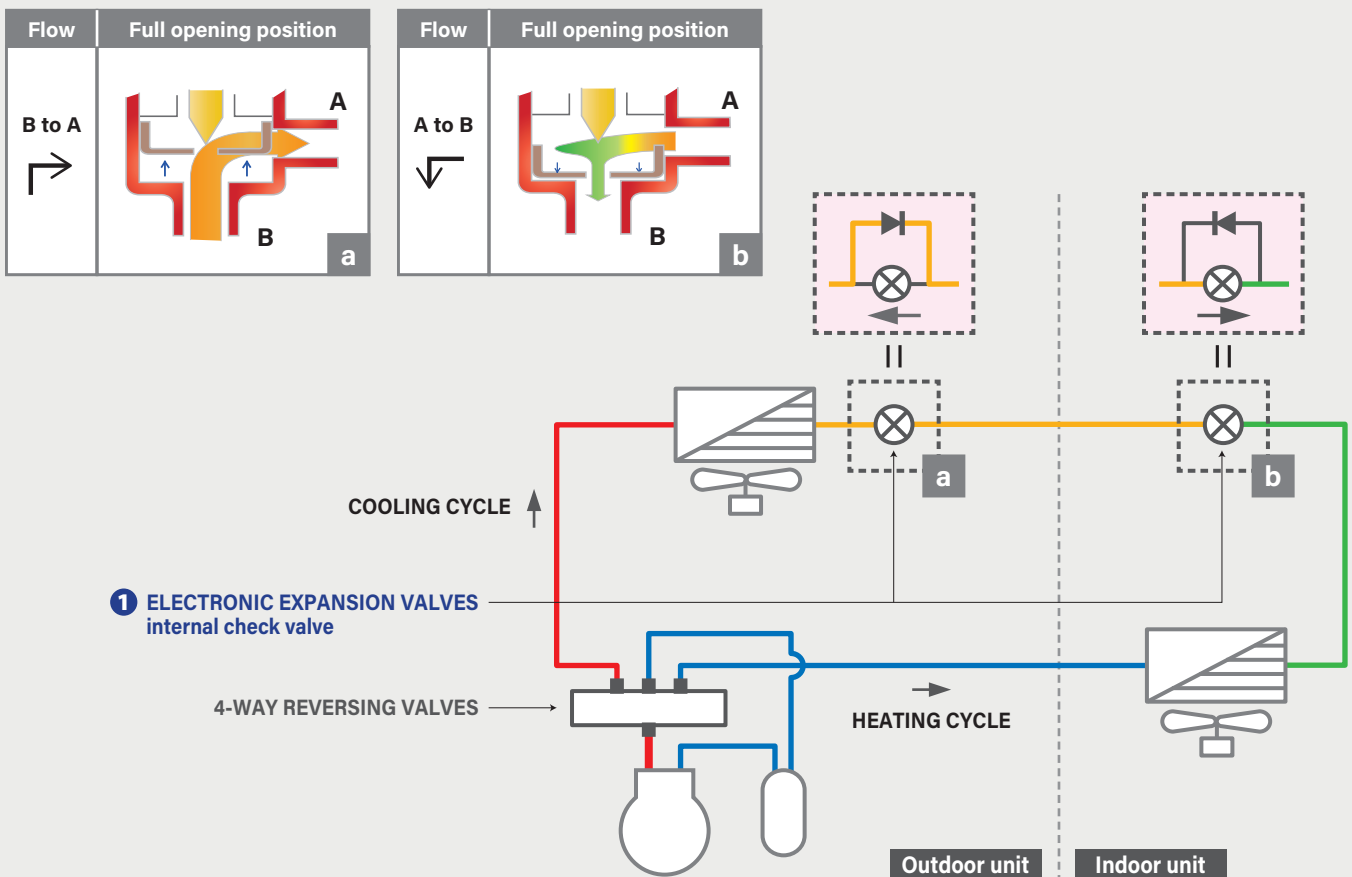
Type DPR/LPR

Discharge Regulation
 [Max. Working Press.] 420psi
 [Range] 142 to 355psi
 Liquid Seal Protection
 [Max. Working Press.] 609psi
 [Range] 580psi



*Please contact us for other refrigerants.

Residential Air Conditioning



R32

SUPERHEAT CONTROLLER

OEM

Type XNE

[Supply Voltage] 24V.AC, 24V.DC
 [Temp. Range] -22 to 86°F
 [Ambient Temp.] 32 to 122°F
 [Power Consumption] 15VA or less
 [Control Method] PID Control
 (pressure-temperature type)



R32, R454B

1 ELECTRONIC EXPANSION VALVES

UL

OEM

Type UKV-F

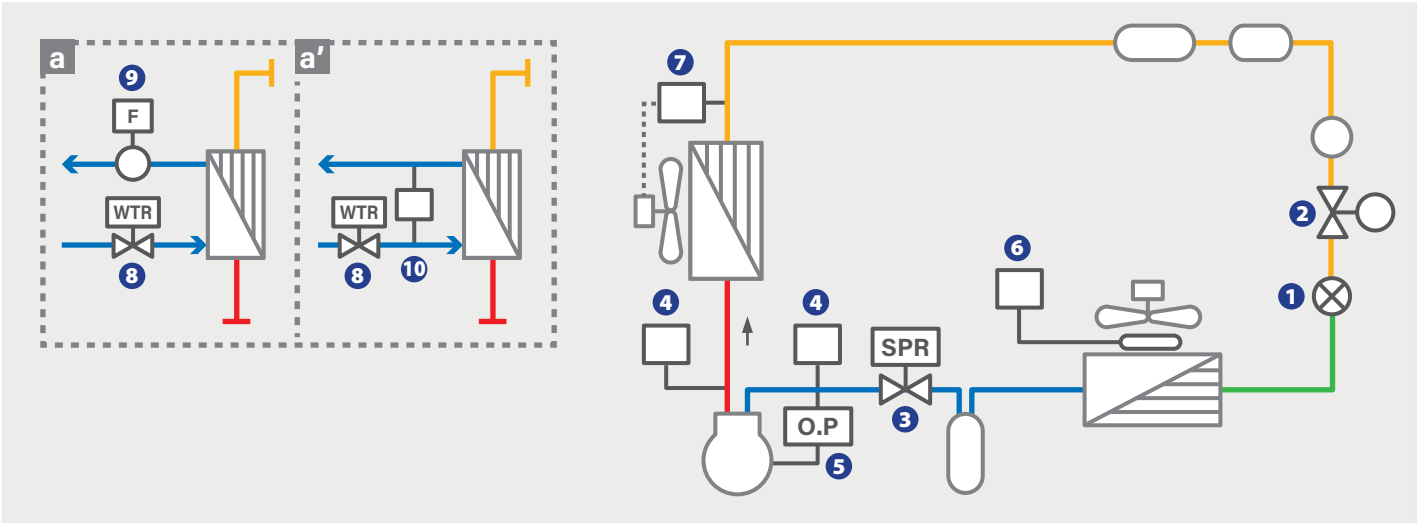
[Supply Voltage] 12V, 24V.DC
 [Max. Working Press.] 609psi
 [Capacity] 3.4 to 7.6USRT (R410A)*
 [Fluid Temp.] -22 to 158°F
 [Actuator] Stepper Motor



*Please contact us for other refrigerants.

REFRIGERATION FIELD

Commercial Refrigeration Unit ①



R448A, R449A, R454C, R1234yf, R290

① EXPANSION VALVE **UL** **OEM**

Type ARX

[Max. Working Press.] 406psi
 [Capacity] 0.34 to 1.71USRT (R404A)*
 [Connections] 5/16" × 3/8" Solder

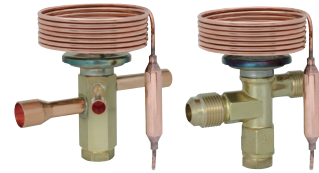


R448A, R449A, R454C, R1234yf, R600a, R290

① EXPANSION VALVES **UL**

Type QCX/RCX

[Max. Working Press.] 435psi
 [Capacity] 0.20 to 2.96USRT (R404A)*
 [Equalizer] Internal/External
 [Connections] 3/8" × 1/2" Flare, Solder

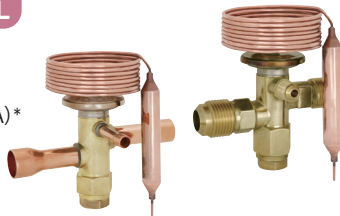


R448A, R449A, R454C, R1234yf, R600a, R290

① EXPANSION VALVES **UL**

Type SCX

[Max. Working Press.] 435psi
 [Capacity] 3.65 to 9.06USRT (R404A)*
 [Equalizer] External
 [Connections]
 1/2" × 5/8" Flare, Solder
 5/8" × 7/8" Solder



R448A, R449A

① EXPANSION VALVES

Type ATX

[Max. Working Press.] 406psi
 [Max. Working Temp.(Body)] 176°F
 [Capacity] 0.7 to 57.0USRT (R404A)*
 [Equalizer] External (1/4" Flare)
 [Connections] 3/8" to 1" Solder
 3/8" × 1/2" Flare



R448A, R449A

② SOLENOID VALVES

Type SEV

[Max. Working Press.] 609psi
 [Fluid Temp.] -40 to 257°F
 [M.O.P.D.] 355psi (AC),
 284psi (DC)
 [Cv Value] 0.25 to 5.3
 [Connections] 1/4" to 5/8" Male Flare
 1/4" to 5/8" Solder



R448A, R449A

② SOLENOID VALVES

Type REV

[Max. Working Press.] 609psi
 [Fluid Temp.] -40 to 257°F
 [M.O.P.D.] 355psi
 [Cv Value] 1.0 to 19.4
 [Connections] 3/8" to 5/8" Male Flare
 Rc3/8" to 3/4"
 3/8" to 1-5/8" Solder
 7/8" to 3-1/2" Flange



R448A, R449A

③ PRESSURE REGULATING VALVES

Type EPR/SPR

[Max. Working Press.] 363psi
 [Capacity] EPR : 1.9 to 4.0USRT (R404A)*
 SPR : 1.1 to 4.5USRT (R404A)*
 [Adjusting Range] 0 to 87psi
 [Connections] Flare, Solder



R448A, R449A, R454C, R1234yf, R600a, R290

CHECK VALVES

Type BCV

[Max. Working Press.] 602psi
 [Fluid Temp.] -22 to 248°F
 [Cv Value] 0.33 to 8
 [Connections] 1/4" to 1" Solder



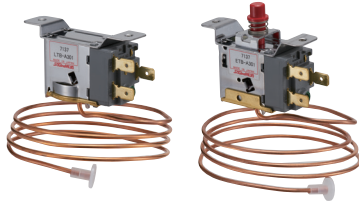
REFRIGERATION FIELD

R448A, R449A

4 SMALL PRESSURE CONTROLS

Type LTB/ETB

[Range] LTB : 0 to 56.9psi
 ETB : 14.2 to 35.6psi
 [Max. Working Press.] 213psi
 [Fluid Temp.] -4 to 248°F
 [Contact Functions]
 LTB : SPST, ETB : Manual Reset

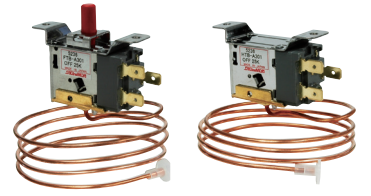


R448A, R449A

4 SMALL PRESSURE CONTROLS UL OEM

Type HTB/FTB

[Range] 113 to 426psi
 [Max. Working Press.] 469psi
 [Fluid Temp.] -4 to 248°F
 [Contact Functions]
 HTB : SPST
 FTB : Manual Reset

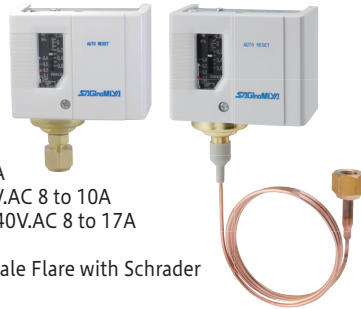


R448A, R449A

4 SINGLE FUNCTION PRESSURE CONTROLS UL

Type SNS

[Range] Min. -9 to 145psi
 Max. 14.5 to 507psi
 [Max. Working Press.] 43.5 to 551psi
 [Contact Functions] SPDT
 [Contact Capacity]
 Small Current : 120V, 240V.AC 0.075A
 Medium Current : 120V.AC 10A, 240V.AC 8 to 10A
 Large Current : 120V.AC 16 to 20A, 240V.AC 8 to 17A
 [Connections] 1/4" Male Flare
 Capillary and 1/4" Female Flare with Schrader



R448A, R449A

4 DUAL PRESSURE CONTROLS UL

Type DNS

[Low Side Range] Min. -9 to 116psi
 Max. 58 to 87psi
 [High Side Range] Min. 116psi
 Max. 435psi
 [Max. Working Press.] Low Side : 218psi
 High Side : 479psi
 [Contact Functions] SPST, SPDT
 [Contact Capacity] Small Current : 120V, 240V.AC 0.075A
 Medium Current : 120V.AC 10A, 240V.AC 8 to 10A
 Large Current : 120V.AC 16 to 20A, 240V.AC 8 to 17A
 [Connections] 1/4" Male Flare
 Capillary and 1/4" Female Flare with Schrader



R448A, R449A

5 OIL PROTECTION CONTROLS

Type ONS

[Range] 7.3 to 50.8psi
 [Press. Differential] 7.3psi (Approx.)
 [Max. Working Press.] 218psi
 [Fluid Temp.] -4 to 248°F
 [Contact Capacity] 250V.AC 3A (cosφ=0.75)



6 TEMPERATURE CONTROLS UL

Type LWS

[Range] -31 to 464°F
 [Contact Functions] SPDT
 [Contact Capacity] 125V.AC 0.05 to 8.5A, 0.5 to 16A
 250V.AC 0.05 to 4.5A, 0.5 to 8A



R448A, R449A, R454C, R1234yf, R600a, R290

7 CONDENSER FAN SPEED CONTROLLERS UL

Type XGE

[Max. Working Press.] 681psi
 [Control Method] Phase Control
 [Range] 116 to 566psi
 [Rated Amp.] 0.2 to 3A
 [Connections] 1/4" Female Flare with Schrader



R448A, R449A

7 CONDENSER FAN SPEED CONTROLLERS UL

Type RGE

[Max. Working Press.] 681psi
 [Control Method] Phase Control
 [Range] 116 to 566psi
 [Rated Amp.] 0.2 to 8A
 [Connections] 1/4" Female Flare with Schrader



R448A, R449A, R454C, R1234yf, R600a, R290

8 PRESSURE ACTUATED WATER REGULATING VALVES

Type AWR/VWR

[Range] AWR : 87 to 26psi, VWR : 221 to 429psi
 [Max. Working Press.] AWR : 290psi, VWR : 621psi
 [Max. Water Temp.] 140°F
 [Max. Water Press.] 145psi

[Connections] AWR : 1/2" Flare
 Rc3/8" to 1-1/4"
 1-1/2" to 2-1/2" Flange
 VWR : Rc3/8" to 3/4"
 *NPT is also available.



9 FLOW SWITCHES UL

Type FQS

[Range] 18 to 2268L/min
 [Max. Working Press.] 145psi
 [Fluid Temp.] 41 to 636°F



R448A, R449A

10 DIFFERENTIAL PRESSURE CONTROLS UL

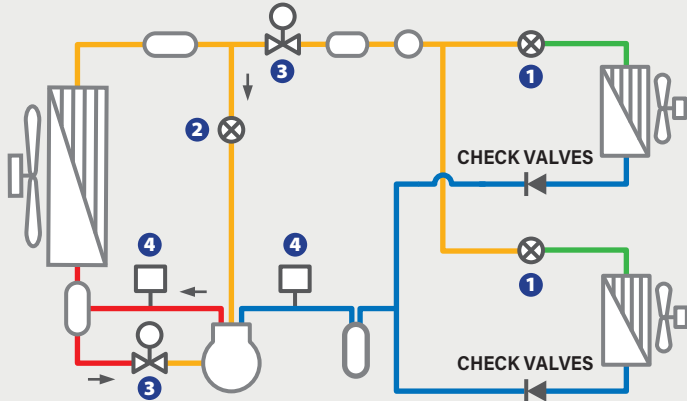
Type WNS

[Range] 4.4 to 50.8psi
 [Press. Differential] 4.4 to 36.3psi
 [Max. Working Press.] 72.5 to 218psi
 [Fluid Temp.] -4 to 248°F
 [Electrical Rating] 250V.AC 4.5A
 (cosφ=0.75)



REFRIGERATION FIELD

Commercial Refrigeration Unit ②



- ① ELECTRONIC EXPANSION VALVES/ELECTRIC EXPANSION VALVES
- ② ELECTRONIC EXPANSION VALVES (Hot gas)
- ③ SOLENOID VALVES
- ④ SMALL PRESSURE CONTROLS

R448A, R449A, R454C, R1234yf, R600a, R290

① ELECTRONIC EXPANSION VALVES UL OEM

Type AKV

[Supply Voltage] 12V.DC
 [Max. Working Press.] 609psi
 [Capacity] 16.7 to 19.8USRT (R404A)*
 [Fluid Temp.] -22 to 248°F



R448A, R449A, R454C, R1234yf, R600a, R290

① ELECTRONIC EXPANSION VALVES UL OEM

Type UKV

[Supply Voltage] 12V.DC
 [Max. Working Press.] 609psi
 [Capacity] 0.3 to 7.9USRT (R404A)*
 [Fluid Temp.] -58 to 140°F
 [Actuator] Stepper Motor



R448A, R449A

① ELECTRONIC EXPANSION VALVES

Type GKV

[Supply Voltage] 12V.DC
 [Max. Working Press.] 609psi
 [Capacity] 2.1 to 11.2USRT (R404A)*
 [Fluid Temp.] -94 to 140°F

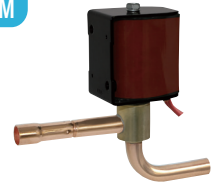


R448A, R449A

① ELECTRIC EXPANSION VALVES OEM

Type EPV

[Supply Voltage] 24V.AC, 24V.DC
 [Max. Working Press.] 609psi
 [Capacity] 0.4 to 2.6USRT (R404A)*
 [Fluid Temp.] -22 to 122°F
 [Connections] 3/8" Solder



R448A, R449A, R454C, R1234yf, R290

② ELECTRONIC EXPANSION VALVES UL OEM

Type VKV

[Supply Voltage] 12V, 24V.DC
 [Max. Working Press.] 609psi
 [Capacity] 1.0 to 9.3USRT (R404A)*
 [Fluid Temp.] -22 to 248°F
 40D : -22 to 140°F

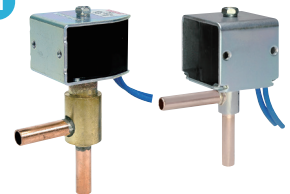


R448A, R449A, R454C, R1234yf, R600a, R290

③ SOLENOID VALVES UL OEM

Type VPV/TEV-S

[Max. Working Press.] 623psi
 [Fluid Temp.] -22 to 248°F
 [Connections] 1/4" to 1/2" Solder
 [Cv Value] VPV : 0.04 to 3.0
 TEV-S : 0.037 to 0.1



R448A, R449A, R454C, R1234yf, R600a, R290

④ SMALL PRESSURE CONTROLS UL OEM

Type ACB

[Range] 15 to 653psi (setting)
 ACB : 101 to 653psi
 LCB : 15 to 101psi
 [Contact Functions] SPST, SPDT
 [Contact Capacity] 250V.AC 1 to 4A
 [Connections] 1/4" Flare, Solder
 Please contact us about high durability type



R448A, R449A, R454C, R1234yf, R600a, R290

④ PRESSURE SENSORS UL OEM

Type NSK

[Press. Range] 0 to 725psi, etc.
 [Output] 0.5 to 4.5V.DC
 [Supply Voltage] 5V.DC
 [Connections] 1/4" Flare, Solder, R1/8"



R448A, R449A

④ PRESSURE SENSORS

Type XSK

[Press. Range] 0 to 725psi, etc.
 [Output] 4 to 20mA
 [Supply Voltage] 10.5 to 28V.DC
 [Connections] 1/4" Flare, R1/8", R1/4", R3/8"



DIAPHRAGM TYPE STOP VALVES

Type ADV

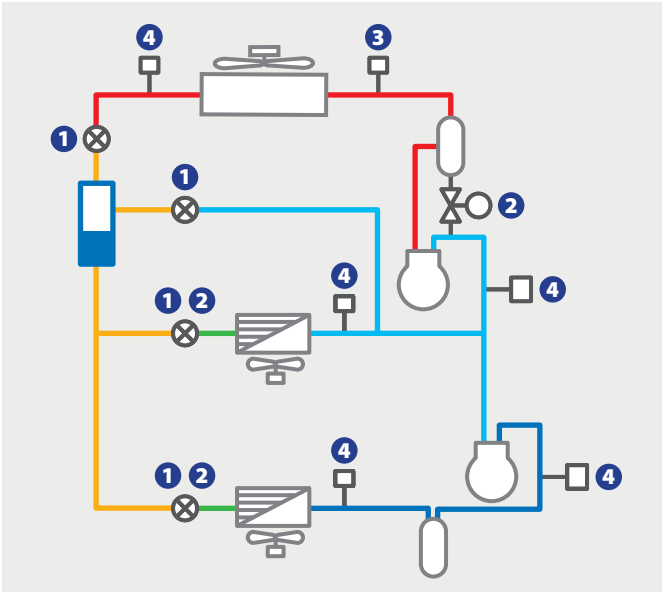
[Max. Working Press.] 507psi
 [Fluid Temp.] -40 to 248°F
 [Cv Value] 0.35 to 3.46
 [Connections] 1/4" to 3/4" Flare, 1/4" to 7/8" Solder



*Please contact us for other refrigerants.

REFRIGERATION FIELD

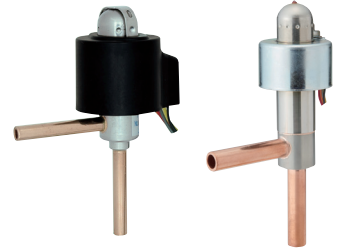
Transcritical CO₂ system



1 ELECTRONIC EXPANSION VALVES UL * OEM

Type UKV-J/JKV

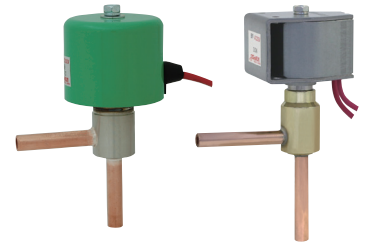
[Supply Voltage] 12V.DC
 [Max. Working Press.] 2175psi
 [Capacity] 1.0 to 41.6USRT
 [Fluid Temp.] -22 to 158°F
 [Actuator] Stepper Motor
 *Excl. JKV



2 SOLENOID VALVES OEM

Type HPV

[Max. Working Press.]
 1885, 2001, 2030, 2175psi
 [Fluid Temp.] -22 to 248°F
 [Connections] 1/4" to 5/16" Solder
 [Cv Value] 0.028, 0.038, 0.32, 0.54



3 PRESSURE CONTROLS UL OEM

Type CCB

[Range] on 1450psi
 off 2175psi
 [Contact Functions] SPST
 [Connections] 1/4" Solder



3 PRESSURE CONTROLS UL

Type CKB

[Range] on 638 to 1595
 (on-off Diff.145) or
 Manual reset
 off 783 to 1740
 [Contact Functions] SPDT
 [Connections] 1/4" Female flare
 [Reset Type] Automatic reset /
 Manual reset



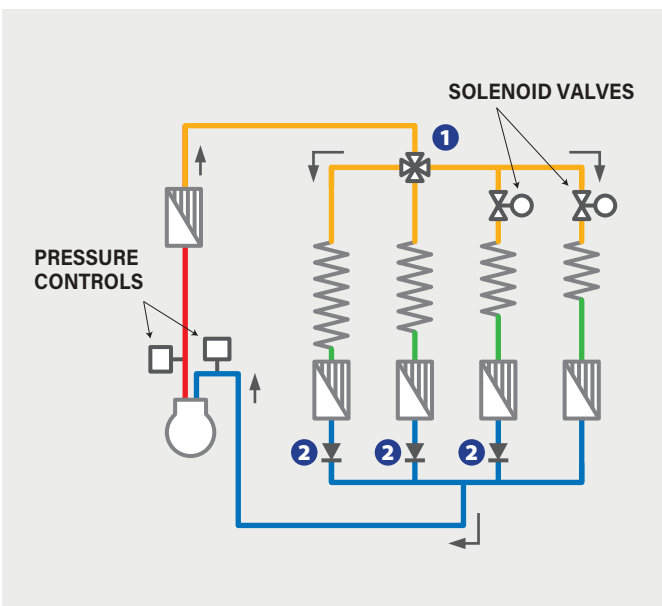
4 PRESSURE SENSORS OEM

Type HSK

[Press. Range]
 0 to 2175psi
 [Output]
 0.5 to 4.5V.DC
 [Supply Voltage]
 5V.DC
 [Connections]
 1/4" Solder



Household Refrigerator

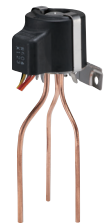


R600a, R290

1 3-WAY/4-WAY ELECTRONIC CHANGE-OVER VALVES UL OEM

Type RKV

[Supply Voltage] 12V.DC
 [Max. Working Press.] 435psi
 [Post Size] ϕ 1.0
 [Fluid Temp.] -22 to 149°F
 [Actuator] Stepper Motor



R600a, R290

2 CHECK VALVES UL * OEM

Type FCV/BCV

[Max. Working Press.] 700psi
 [Fluid Temp.] -40 to 257°F
 [Connections]
 1/4" to 3/4" Solder
 [Cv Value] 0.55 to 6
 *Excl. BCV

[Max. Working Press.] 602psi
 [Fluid Temp.] -22 to 248°F
 [Connections]
 1/4" to 1" Solder
 [Cv Value] 0.33 to 8



INDUSTRIAL FIELD

■ For Construction Machinery and Automobile Industries



SMALL PRESSURE CONTROLS **OEM**

Type **LCB**

for Construction Machinery

[Range] 72.5 to 174.0psi
 [Supply Voltage] 12V, 24V.DC
 [Ambient Temp.] -40 to 302°F
 [Contact Functions] SPST
 [Connections] R1/8"

for Automobile Engine

[Range] 14.5 to 36.3psi
 [Supply Voltage] 12V, 24V.DC
 [Ambient Temp.] -40 to 302°F
 [Contact Functions] SPST N.C
 [Connections] M10

for Automobile Transmission

[Range] 29.0 to 58.0psi
 [Supply Voltage] 12V, 24V.DC
 [Ambient Temp.] -40 to 302°F
 [Contact Functions] SPST N.O
 [Connections] M10



PRESSURE SENSORS **OEM**

Type **KSK**

for Construction Machinery

[Range] 0 to 725psi
 [Output Voltage] 0.5 to 4.5V.DC
 [Supply Voltage] 5V.DC
 [Ambient Temp.] -22 to 212°F
 [Connections] G1/4" with P11 O-Ring



SMALL PRESSURE CONTROLS **OEM**

Type **HCB-K**

for Construction Machinery

[Range] 43.5 to 362.6psi
 [Supply Voltage] 12V, 24V.DC
 [Ambient Temp.] -22 to 212°F
 [Contact Functions] SPST
 [Connections] R1/8", G1/4", G1/8"

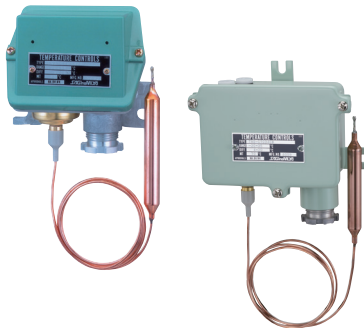


■ For Ships

TEMPERATURE CONTROLS

Type **TNS-P/W**

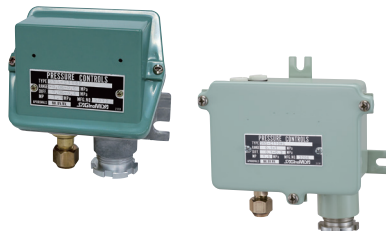
Drip Proof & Water Proof Model
 [Range] Min. -49 to 239°F
 Max. 32 to 302°F
 [Limit Temp] 104 to 356°F
 [Contact Functions] SPDT
 [Contact Capacity] 125V.AC 8.5 to 10A
 250V.AC 4.5 to 5A
 [Connections] 1/4" Male Flare
 [Conduit Gland] ϕ 0.79in., ϕ 0.59in.



PRESSURE CONTROLS

Type **SNS-P/W**

Drip Proof & Water Proof Model
 [Range] Min. -9 to 145psi
 Max. 14.5 to 507psi
 [Max. Working Press] 43.5 to 551psi
 [Contact Functions] SPDT
 [Contact Capacity] 125V.AC 8.5 to 10A
 250V.AC 4.5 to 5A
 [Connections] 1/4" Male Flare
 [Conduit Gland] ϕ 0.79in., ϕ 0.59in.



UNIT OF VISCOSITY CONTROL

Type **VCU**



Viscosity Controller (DU)



Viscosity Sensor (AVM)



Steam Control Motor Valve (WGK+NVK)

INDUSTRIAL FIELD

For Semiconductor and liquid crystal manufacturing equipment

VORTEX FLOW METER UL

Type SLK

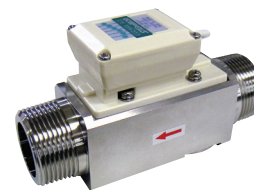
[Fluid contact Material] PFA
 [Range] 0.4 to 90L/min
 [Supply Voltage] 12 to 24V.DC
 [Output]
 (Current type) Current : 4 to 20mA
 (Pulse type) Pulse Rate : 0.1 to 10mL/pulse
 [Max. Working Press.] 72.5 to 145psi
 [Fluid Temp.] 32 to 194°F
 [Ambient Temp.] 32 to 122°F



VORTEX FLOW SENSOR

Type JLK

[Fluid contact Material]
 Stainless Steel, PPS, EPDM or FKM
 [Range] 4 to 220L/min
 [Supply Voltage] 12 to 24V.DC
 [Output] 4 to 20mA
 [Max. Working Press.] 145psi
 [Fluid Temp.] 32 to 194°F
 [Ambient Temp.] 32 to 122°F



VORTEX FLOW METER

Type RLK

[Fluid contact Material] PVC-U, EPDM or FKM
 [Range] 4 to 900L/min
 [Supply Voltage] 12 to 24V.DC
 [Output] Current : 4 to 20mA
 Pulse Rate : 2 to 100mL/pulse
 [Max. Working Press.] 145psi
 [Fluid Temp.] 32 to 122°F
 [Ambient Temp.] 32 to 122°F



BELLOWS OEM

Type HBL etc./WSL

Hydraulically Forming Bellows
 [Materials] Phosphor Bronze, etc.
 [Sizes] O.D : 0.3 to 11.3in.
 I.D : 0.2 to 10.5in.
 Welding Bellows
 [Materials] Stainless Steel
 [Sizes] O.D : 0.5 to 6.0in.
 I.D : 0.3 to 5.4in.



RESISTIVITY METERS

Type RNE/ARK

[Range] 0.05 to 20M.Ω·cm
 [Supply Voltage] 24V.DC
 [Output] 4 to 20mA
 [Max. Working Press.] 116psi
 [Fluid Temp.] 32 to 203°F
 [Ambient Temp.] 32 to 113°F
 [Fluid] Ultra Purified Water or Purified Water



Others

PRESSURE REDUCING VALVES

Type ARV

[Decompress Range]
 14.5 to 508psi
 [Fluid Temp.] -4 to 176°F
 [Max. Working Press.] 522psi
 [Connections]
 3/8" to 3/4" Flare



BELLOWS TYPE STOP VALVES

Type NBV

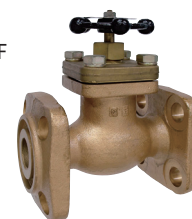
[Max. Working Press.]
 426, 511psi
 [Fluid Temp.] -22 to 248°F
 [Cv Value] 0.36 to 6.7
 [Connections]
 1/4" to 3/4" Flare
 10A, 15A, 20A Flange
 Rc1/4" to 3/4"



BELLOWS TYPE STOP VALVES

Type SBV

[Max. Working Press.]
 426, 511psi
 [Fluid Temp.] -22 to 248°F
 [Cv Value] 10 to 45
 [Connections]
 25A to 50A Flange
 Rc1" to 2"



DIGITAL THERMOSTATS

Type ALE

[Range]
 -58 to 86°F, 32 to 212°F
 [Supply Voltage]
 85 to 264V.AC
 [Ambient Temp.]
 14 to 122°F



DIGITAL HUMIDISTATS

Type BLE

[Range] 30 to 90%RH
 [Supply Voltage]
 85 to 264V.AC
 [Ambient Temp.]
 14 to 122°F



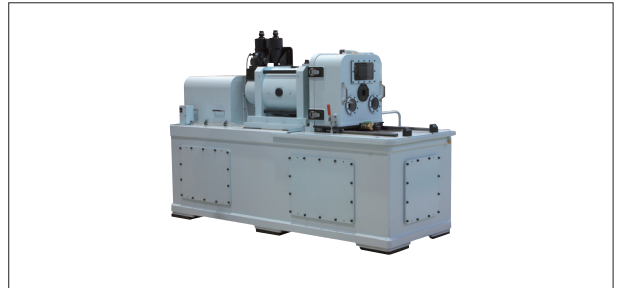
INDUSTRIAL FIELD

■ Test Systems

■ Driving Simulator DiM (Driver in Motion)



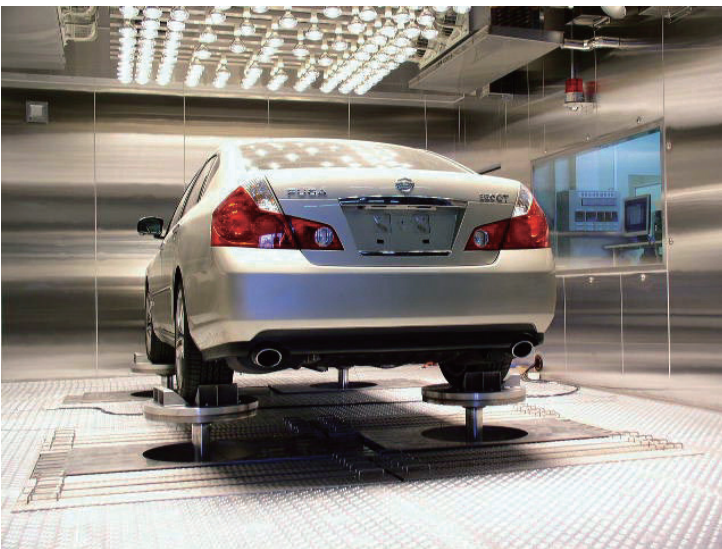
■ Spin Torsional Test System



■ Elastomer Test System



■ Road Simulator (4Poster)



■ Torsional Elastomer Test System



■ 6DOF Road Simulator



■ Electric Servo Test System

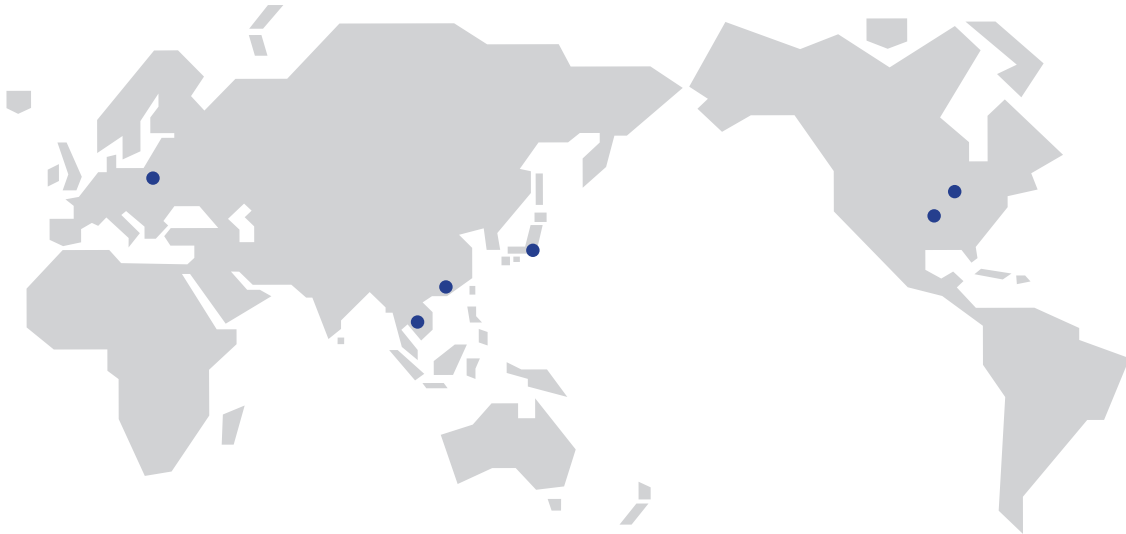


GLOBAL NETWORKS



SAGINOMIYA AMERICA, INC. (USA)
 655 Metro Place South Suite 220
 Dublin, Ohio 43017, U.S.A.
 Sales
 Tel: +1-614-766-7390
 Fax: +1-614-766-7391

SAGINOMIYA AMERICA, INC. Dallas Office (USA)
 3201 Dallas Pkwy Suite 200, Frisco
 Texas 75034, U.S.A.
 Sales
 Tel: +1-614-766-7390 (Ext) 1201
 Fax: +1-614-766-7391



SAGINOMIYA EUROPE Sp. z o.o. (Poland)
 Sales



Danfoss Saginomiya Sp. z o.o. (Poland)
 Manufacturing



FOSHAN HUALU AUTOMATIC CONTROLS LIMITED (China)
 Sales & Manufacturing



Saginomiya (Thailand) Co., Ltd. (Thailand)
 Sales & Manufacturing



SAGINOMIYA SEISAKUSHO, INC (Japan)
 Headquarters



<http://www.saginomiya-global.com/en/>



NOTES FOR SAFETY

Failure to read and follow all instruction carefully before installing or operating the product could cause personal injury and/or property damage.

Specifications are subject to change without notice.

2023.12

SAGINOMIYA
AMERICA, INC.

655 Metro Place South Suite 220, Dublin, Ohio 43017, U.S.A.

Tel: +1-614-766-7390 Fax: +1-614-766-7391

E-mail: Sales@saginomiya-am.com URL: <http://www.saginomiya-global.com/en/>

Dallas Office: 3201 Dallas Pkwy Suite 200, Frisco, Texas 75034, U.S.A.

Tel: +1-614-766-7390(Ext)1201 Fax: +1-614-766-7391