

PRESSURE SENSORS

Type **NSK**

High Volume OEM Item

- Applications include sensing pressure in residential and commercial air conditioner systems, chiller, boiler, water and oil pump systems.
- High reliability and accuracy
- Diffusion silicone chip pressure sensor
- Various installation and connection options
- UL Recognized



PRESSURE SENSORS

Type **NSK**

High Volume OEM Item

SPECIFICATIONS

Power supply: 5V DC \pm 0.25V
 Fluid temperature: -22 to 248°F[-30 to 120°C]
 Ambient temperature: -22 to 212°F[-30 to 100°C] (NSK-BE)
 -22 to 176°F[-30 to 80°C] (NSK-BH)

Enclosure: IP66
 Mounting position: Any position

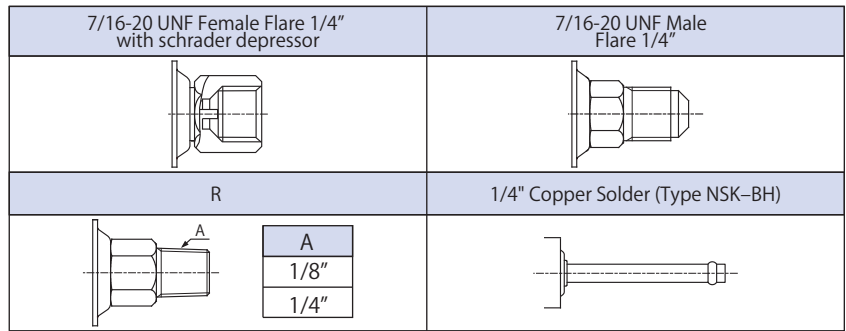
TYPE NUMBER SELECTION

Catalog No.	Pressure Range psi[MPa]	Output	*Accuracy	Current Consumption	Load Resistance	Airtight Pressure psi[MPa]	Wt. lb[kg]
NSK-BH007D-U***	-14.5 to 101.5 [-0.1 to 0.7]	0.5 to 4.5V DC	\pm 2.5% F.S.	Max.10mA	Min.10k Ω	550 [3.79]	0.13 [0.06]
NSK-BH010D-U***	0 to 150 [0 to 1.03]						
NSK-BH014D-U***	0 to 200 [0 to 1.38]						
NSK-BH021D-U***	0 to 300 [0 to 2.07]						
NSK-BH034D-U***	0 to 500 [0 to 3.45]						
NSK-BH050D-U***	0 to 725 [0 to 5.00]		\pm 2.0% F.S.			798 [5.5]	
NSK-BH050D-U***	0 to 725 [0 to 5.00]		\pm 2.5% F.S.				
NSK-BE007I-U***	-14.5 to 101.5 [-0.1 to 0.7]	0.5 to 4.5V DC	\pm 2.5% F.S.	Max.10mA	Min.10k Ω	550 [3.79]	0.09 [0.04]
NSK-BE010I-U***	0 to 150 [0 to 1.03]						
NSK-BE014I-U***	0 to 200 [0 to 1.38]						
NSK-BE021I-U***	0 to 300 [0 to 2.07]						
NSK-BE034I-U***	0 to 500 [0 to 3.45]						
NSK-BE050I-U***	0 to 725 [0 to 5.00]		\pm 2.0% F.S.			798 [5.5]	
NSK-BE050I-U***	0 to 725 [0 to 5.00]		\pm 2.5% F.S.				

* Included non linearity hysteresis, and temperature drift.

CONNECTIONS

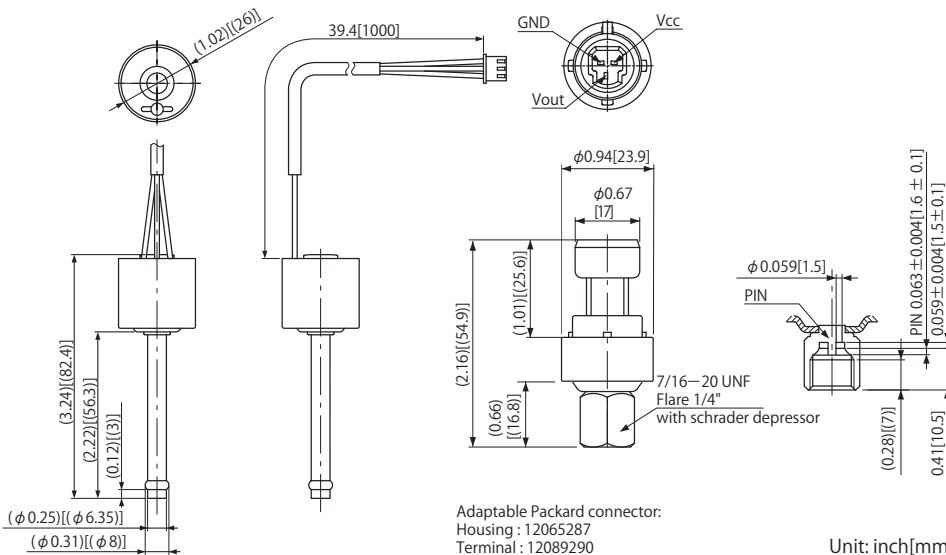
- Connection Material
Stainless steel pressure connection is available upon request. (R1/8 only)
- Connection Style
Standard connection style is 7/16-20UNF Female Flare with schrader depressor. The following connection styles are available upon request.



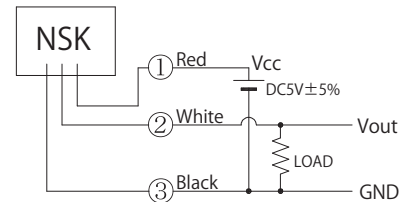
DIMENSIONS

Type NSK-BH (Lead wire direct Connector)

Type NSK-BE (Packard connector)



WIRING



NOTES FOR SAFETY

Failure to read and follow all instruction carefully before installing or operating the product could cause personal injury and/or property damage.

Specifications are subject to change without notice.