

# 4-WAY REVERSING VALVES

Type **STF**

High Volume OEM Item



**SAGInoMIYA**

# 4-WAY REVERSING VALVES

Type **STF**

High Volume OEM Item

## GENERAL DESCRIPTION

- Pilot operated 4-way reversing valves are suitable for heat pump applications on unitary, split system and window type air conditioners, etc.
- Refrigerant: R407C, R410A, R448A, R449A, R407H , R32\*\* , R454B\*\*
  - \*Other refrigerants may be available upon request.
  - \*\*Consent to "Important Notice for usage" is required when using with flammable refrigerants. Please contact us for details.
- 4-way pilot valve adoption has an advantage on reliable changeover operations.
- Designed to lower the minimum operating pressure difference between high and low side. Pressure drop and valve leakage are minimized.
- Applicable standard: CE, UL/cUL

## SPECIFICATIONS

- Fluid temperature: -4 to 266°F { -20 to 120°C }
- Ambient temperature: -4 to 212°F { -20 to 55°C }
- Ambient humidity: Less than 95% R.H.

## TYPE NUMBER SELECTION

Catalog No.		Refrigerant *1	Port Size (inch[mm])	Connection		Operating Pressure Differential (psi[MPa])		Wt. *2 (lb[kg])		
Type	Model			Style	Connection size		Min.		Max.	
					High-pressure side	Low-pressure side				
STF	H0167	R407C R410A R448A R449A R407H R32* <sup>3</sup> R454B* <sup>3</sup>	0.31[8]	Copper tube solder(ODF)	5/16"	3/8"	44[0.3]	449[3.1]	0.44[0.2]	
	H0267		0.44[11.1]		3/8"	1/2"			0.71[0.32]	
	H0321		0.45[11.5]		1/2"	5/8"			0.79[0.36]	
	H0351		0.55[14]						0.86[0.39]	
	H0429		0.63[16]						3/4"	1.52[0.69]
	H0651		0.71[18.1]		3/4"	7/8"			1.63[0.74]	
	H0731		0.79[20]						2.67[1.21]	
	H0951		0.84[21.3]						2.73[1.24]	
	H0954		0.94[24]		7/8"	1-1/8"			3.42[1.55]	
	2027G		1.10[28]		1"	1-1/4"			3.33[1.51]	
	2522G		1.34[34]						7.94[3.6]	
	3019G		1.57[40]						9.70[4.4]	
	4013G		1.97[50]		1-1/2"	1-3/4"			18.52[8.4]	
	5020G		2.36[60]		Copper tube solder (High-pressure side:ODM) (Low-pressure side:ODF)	1-5/8"			2-5/8"	18.74[8.5]
	6009G									46.30[21]

\* 1 For other refrigerants, please contact us.

\* 2 Weight is for the main body only (Coil is not included)

\* 3 Consent to "Important Notice for usage" is required when using with flammable refrigerants. Please contact us for details.

## ELECTRICAL RATING OF SOLENOID COILS

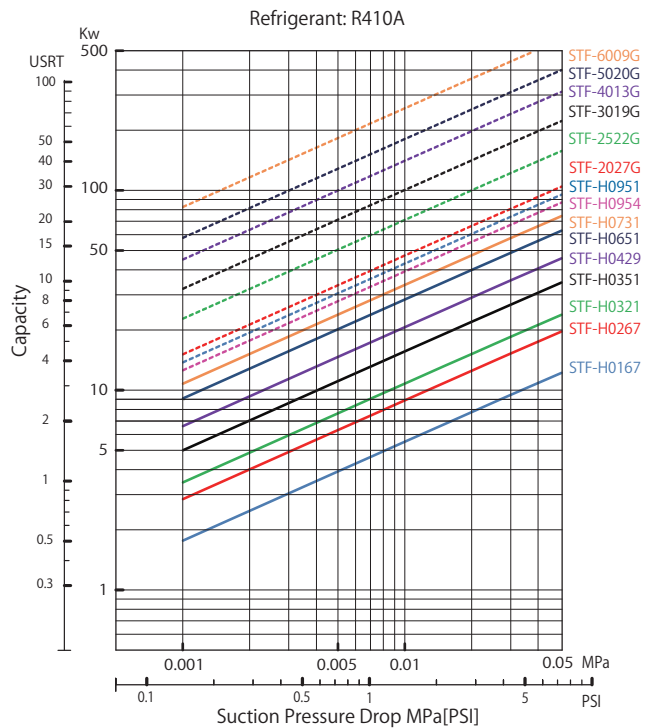
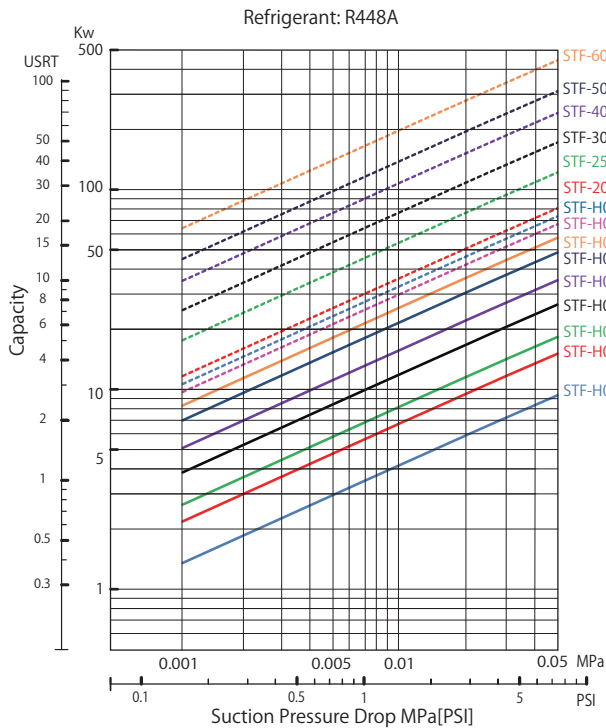
Catalog No. (Body)	Rated Voltage		Frequency	Tolerance (%)	Voltampere (VA)		Power consumption (W)	Insulation Class	Wt. *2 (lb[kg])
					Running	Inrush			
STF-H □□□□	AC	100V	50/60Hz	+10 -15	10/8	30/24	6/5	Class B Molded *1	0.29[0.13]
		200V							
		110V		± 10	11/9	33/27			
		220V							
		230V							
		240V							
STF-(G) □□□□	AC	100V	50/60Hz	+10 -15	13/10	39/30	7/6	Class B Molded *1	0.29[0.13]
		200V							
		110V		± 10	11/9	33/27	6/6		
		220V							
		230V							
		240V							

\* 1 Compliant with IEC60085, 60335-2-40.

\* 2 For lead wire length of 600mm.

• Coil is not included. Please specify coil voltage when ordering the valve body.

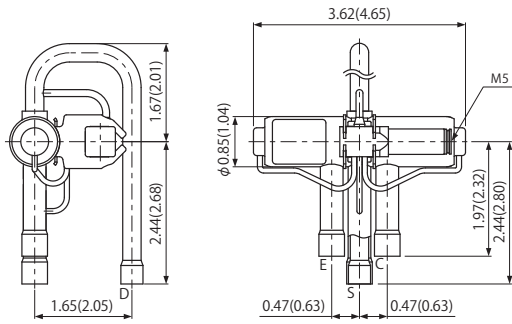
## FLOW RATE (Capacity)



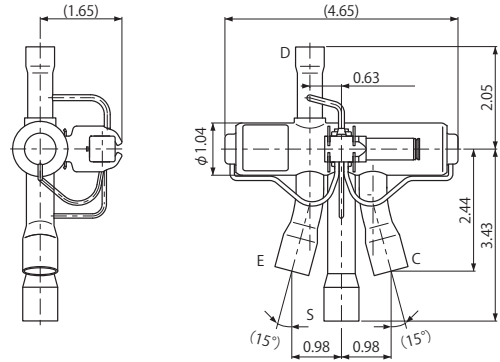
\* Flow Rate Conditions  
 Condensing Temp.: 100°F [38°C]  
 Evaporator Temp. : 41°F [5°C]  
 Superheat Temp. : 41°F [5°C]

# DIMENSIONS

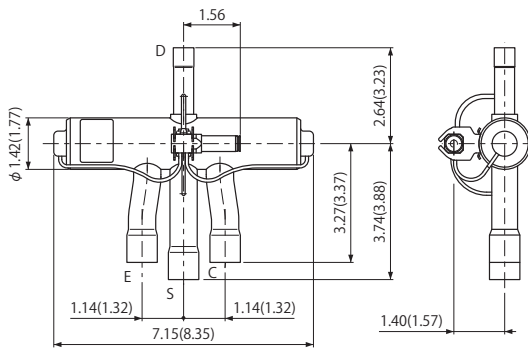
Type STF-H01 (-H02)



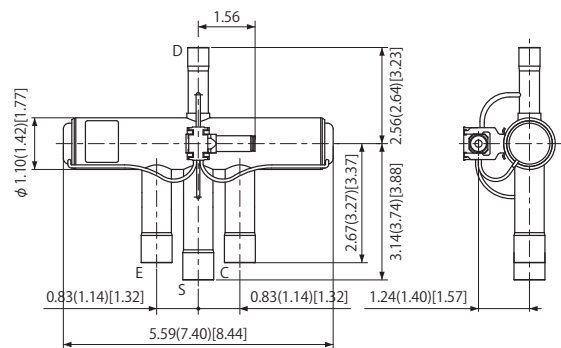
Type STF-H03



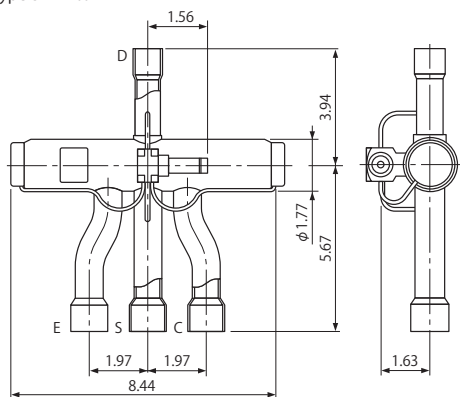
Type STF-H04 (-H07)



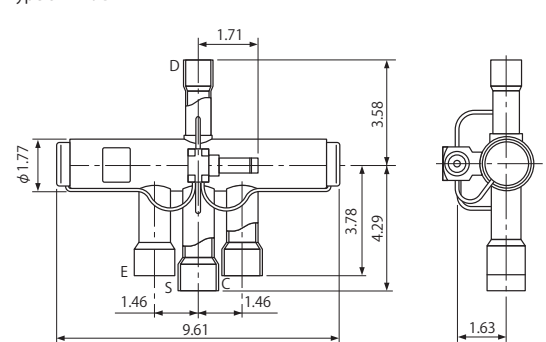
Type STF-H035 (-H06) [-H09]



Type STF-H09



Type STF-20G



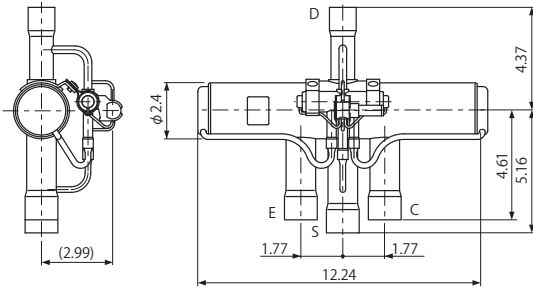
# 4-WAY REVERSING VALVES

Type **STF**

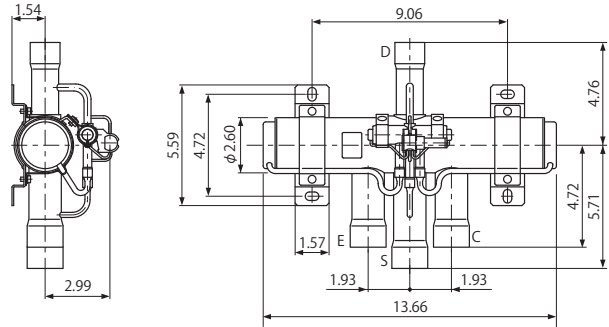
High Volume OEM Item

## DIMENSIONS

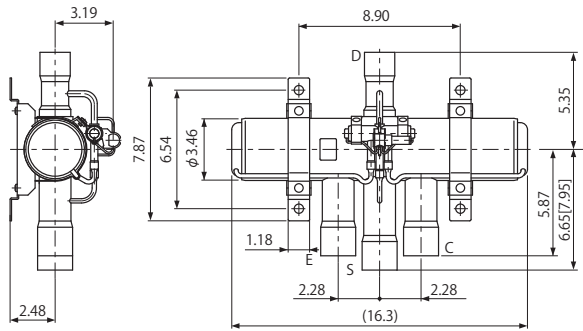
Type STF-25G



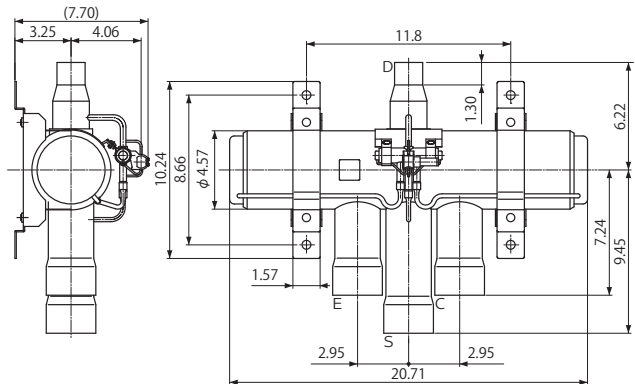
Type STF-30G



Type STF-40G [-50G]



Type STF-60G



Unit : inch

## FLOW DIRECTION (Flow path)

Flow	Power ON		Power OFF	
	D → E	C → S	D → C	E → S

**NOTES FOR SAFETY**

Failure to read and follow all instruction carefully before installing or operating the product could cause personal injury and/or property damage.

Specifications are subject to change without notice.

2023.12

**SAGINOMIYA**  
**AMERICA, INC.**

655 Metro Place South Suite 220, Dublin Ohio 43017, U.S.A.

Tel: +1-614-766-7390 Fax: +1-614-766-7391

E-mail: [Sales@saginomiya-am.com](mailto:Sales@saginomiya-am.com) URL: <http://www.saginomiya-global.com/en/>

Dallas Office: 3201 Dallas Pkwy Suite 200, Frisco, Texas 75034, U.S.A.

Tel: +1-614-766-7390(Ext)1201 Fax: +1-614-766-7391