

SOLENOID VALVES FOR REFRIGERANT

Type **TEV & VPV**

High Volume OEM Item



GENERAL DESCRIPTION

- Direct-operated, pilot operated, 2-way, normally closed valve. Normally open type is available.
- For use with non-corrosive refrigerant.
- Compactly designed for use in small appliances produced in quantity such as room air conditioners, dehumidifiers and ice making machines.
- Various piping configuration available.
- UL Recognized

SAGInoMIYA

SOLENOID VALVES FOR REFRIGERANT

Type **TEV & VPV**

High Volume OEM Item

SPECIFICATIONS

- Fluid temperature: -22 to 248°F {-30 to 120°C}
- Ambient temperature: -22 to 122°F {-30 to 50°C}

TYPE NUMBER SELECTION

Unit : psi{MPa}

Catalog No.	Port Size Inch{mm}	Cv Value	Nominal Capacity (kW) { U.S.R.T. }				Connection		O.P.D.		Max. Working Pressure	Operation	Wt. (lb) {(kg)}
			R410A	R134a	R404A	R22	Copper Tube O.D.	Style	Min.	Max.			
TEV-S1220DU0	0.05{1.2}	0.037	0.6{0.2}	0.5{0.1}	0.4{0.1}	0.6{0.2}	1/4"	Solder	0	522{3.6}	623 {4.3}	Normal Close	0.06 {0.025}
TEV-S1620DU0	0.06{1.6}	0.07	1.0{0.3}	1.0{0.3}	0.7{0.2}	1.1{0.3}				399{2.75}			
TEV-S1920DU0	0.07{1.9}	0.1	1.3{0.4}	1.3{0.4}	0.9{0.3}	1.4{0.4}			0	299{2.06}		Normal Open	0.13{0.06}
VPV-L202DU1	0.07{1.8}	0.07	1.0{0.3}	1.0{0.3}	0.7{0.2}	1.1{0.3}	1/4"						
VPV-303DU1	0.12{3.0}	0.21	3.1{0.9}	3.1{0.9}	2.2{0.6}	3.3{0.9}	5/16"		0.7{0.005}	522{3.6}		Normal Close	0.18{0.08}
VPV-603DU	0.23{5.8}	0.65	9.7{2.8}	9.6{2.7}	6.7{1.9}	10.3{2.9}	3/8"		1.5{0.01}	399{2.75}			
VPV-803DU50	0.31{7.8}	1.5	22.4{6.4}	22.2{6.3}	15.4{4.4}	23.8{6.8}		1/2"	2.2{0.015}				
VPV-1204DU50	0.43{11.0}	3.0	44.8{12.7}	44.4{12.6}	30.9{8.8}	47.6{13.5}	1/2"				0.31{0.14}	0.57{0.26}	

O.P.D.: Operating Pressure Differential (by air pressure)

Nominal capacities are based on ΔP = 0.015 MPa, condensing temp. = 38°C and evaporating temp. = 5°C

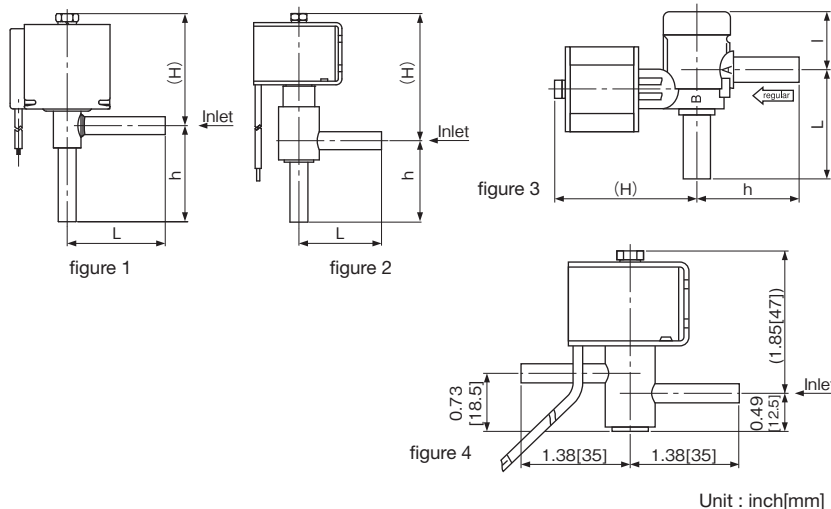
ELECTRICAL RATING OF SOLENOID COILS

Type	Rated Voltage	Tolerance(%)	Voltampere		Power Consumption (W)	Insulation Class	Wt. (lb) {(kg)}
			Running	Inrush			
TEV	24V. AC 100V. AC 110V. AC 120V. AC	±10	9/7	22/16	4.5/3.5	Class B Molded	0.22 {0.1}
VPV	208V. AC 220V. AC 230V. AC 240V. AC						

Current (A) = Voltampere / Rated Voltage

* IEC compliance

DIMENSIONS



Catalog No.	Unit : inch{mm}				Form
	L	H	h	l	
TEV-	S1220D	1.38	1.69	1.30	figure 1
	S1620D	[35]	[43]	[33]	
	S1920D				
VPV-	303D	1.44	2.17	1.42	figure 2
	603D	[36.5]	[55]	[36]	
VPV-	803D	1.63	2.11	1.52	figure 3
	1204D	[41.5]	[53.5]	[38.5]	
	L202D	0.89	2.42	1.12	
		[22.5]	[28.5]		figure 4



NOTES FOR SAFETY

Failure to read and follow all instruction carefully before installing or operating the product could cause personal injury and/or property damage.

Specifications are subject to change without notice.

SAGINOMIYA
AMERICA, INC.

655 Metro Place South Suite 220, Dublin, Ohio 43017, U.S.A.

Tel: +1-614-766-7390 Fax: +1-614-766-7391

E-mail: Sales@saginomiya-am.com URL: <http://www.saginomiya-global.com/en/>

Dallas Office: 3201 Dallas Pkwy Suite 200, Frisco, Texas 75034, U.S.A.

Tel: +1-614-766-7390(Ext)1201 Fax: +1-614-766-7391

2023.12