

# ELECTRONIC EXPANSION VALVES

Type **Type VKV** (Hot gas)

High Volume OEM Item

**Application** : Wide range of air conditioning and refrigeration equipment

**Refrigerant** : R134a, R404A, R407C, R410A

- Application of hot gas bypass
- Wide range fluid temperature: -22 to 248°F
- Quick response
- UL Recognized



**SAGInoMIYA**

# ELECTRONIC EXPANSION VALVES

Type **VKV** (Hot gas)

High Volume OEM Item

## SPECIFICATIONS

Max. working pressure: 609 psi [4.2 MPa]  
 Valve operating pulse range: 0 to 480 pulse, 1–2 phase excitation.  
 Fluid temperature: -22 to 248°F [-30 to 120°C]  
 Ambient temperature: -22 to 140°F [-30 to 60°C]

## TYPE NUMBER SELECTION

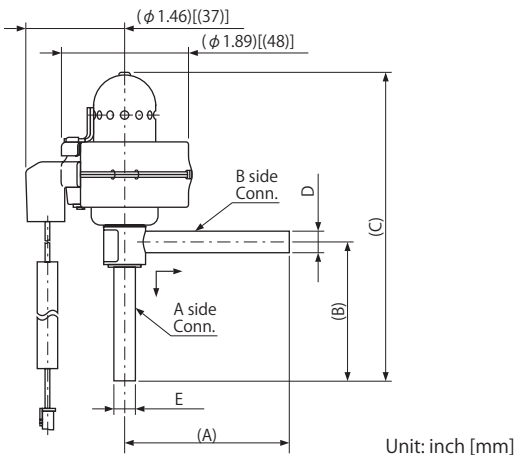
Type VKV - Hot gas

Catalog No.	Port Size ( $\phi$ inch [mm])	Cv Value	Connection (Solder) (inch [mm])		Operating Pressure Differential B to A flow direction (psi [MPa])	Valve shut presson, A to B flow direction (psi [MPa])	Wt. (lb [kg])
			B side	A side			
<b>VKV-14D</b>	0.06 [1.4]	0.05	$\phi$ 5/16 [7.94] OD	$\phi$ 5/16 [7.94] OD	0 to 508 [0 to 3.5]	406 [2.8] or less	0.24 [0.11]
<b>VKV-18D</b>	0.07 [1.8]	0.10				348 [2.4] or less	
<b>VKV-25D</b>	0.10 [2.5]	0.18				319 [2.2] or less	
<b>VKV-30D</b>	0.12 [3.0]	0.25	$\phi$ 3/8 [9.52] OD	$\phi$ 1/2 [12.7] OD	0 to 363 [0 to 2.5]	218 [1.5] or less	0.29 [0.13]
<b>VKV-32D</b>	0.13 [3.2]	0.28				145 [1.0] or less	

Coil

Rated Voltage & Current	Wt.(lb [kg])
12V.DC...260mA/Phase	0.33 [0.15]
24V.DC...130mA/Phase	

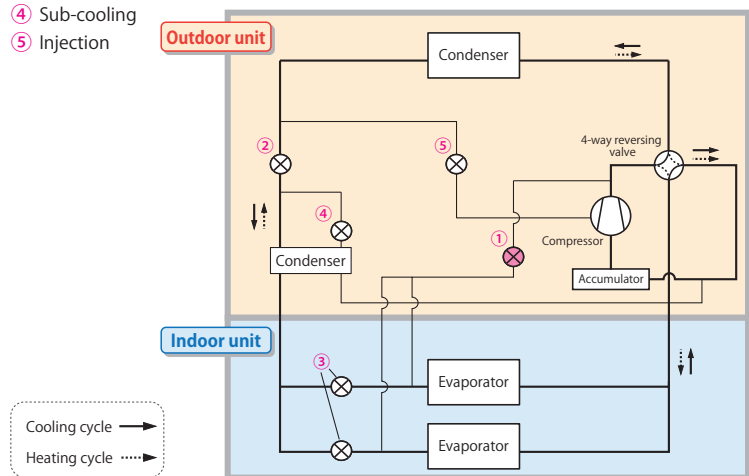
## DIMENSIONS



Catalog No.	A	B	C	D	E
<b>VKV-14D</b>				$\phi$ 5/16 [7.94]	
<b>VKV-18D</b>	2.52 [64]	1.93 [49]	4.41 [112]		
<b>VKV-25D</b>					
<b>VKV-30D</b>					
<b>VKV-32D</b>	2.60 [66]	2.52 [64]	1.30 [130]	$\phi$ 3/8 [9.52]	$\phi$ 1/2 [12.7]

## APPLICATION EXAMPLE

- ① Hot gas bypass
- ② Outdoor expansion valve
- ③ Indoor expansion valve
- ④ Sub-cooling
- ⑤ Injection



### NOTES FOR SAFETY

Failure to read and follow all instruction carefully before installing or operating the product could cause personal injury and/or property damage.

Specifications are subject to change without notice.